

Signal Amplifier

► FEATURES

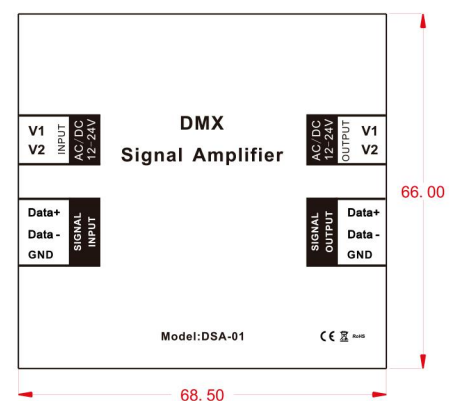
- DMX signal after receiving DMX signal to the output voltage of the normal DMX signal
- Extend the DMX signal transmission distance
- Increase the DMX signal driving ability



► SPECIFICATION

INPUT	2pin Green Terminals (DC power 12-24V) 3pin Green Terminals (DMX IN)
OUTPUT	2pin Green Terminals (DC power 12-24V) 3pin Green Terminals (DMX OUT)
INPUT SIGNAL	DMX
HOUSING	Sheet metal black powder finishing
INGRESS PROTECTION RATANG	IP20
STORATION TEMPERATURE	-30°C-60°C
DIMENSION	L72XW66XH28mm
WEIGHT	150g

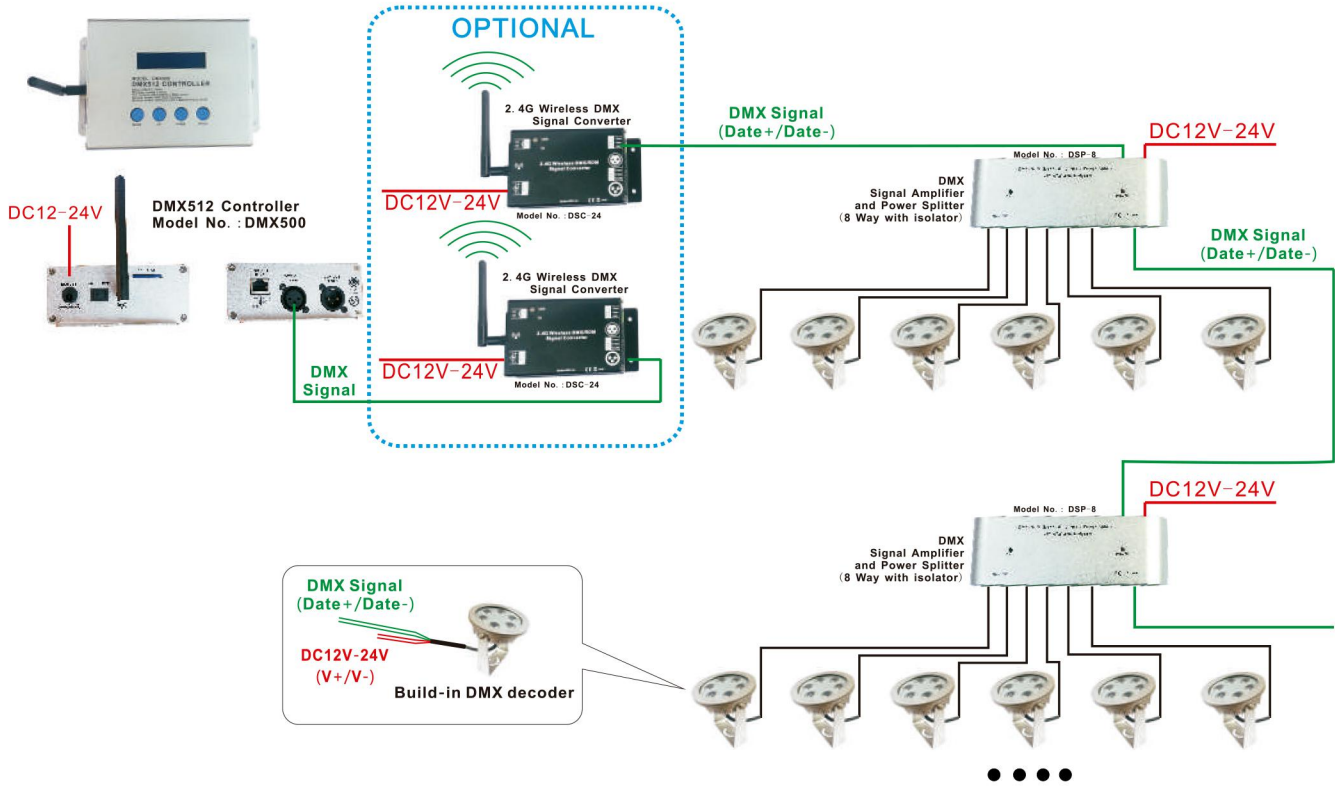
► PHYSICAL DIMENSIONS:



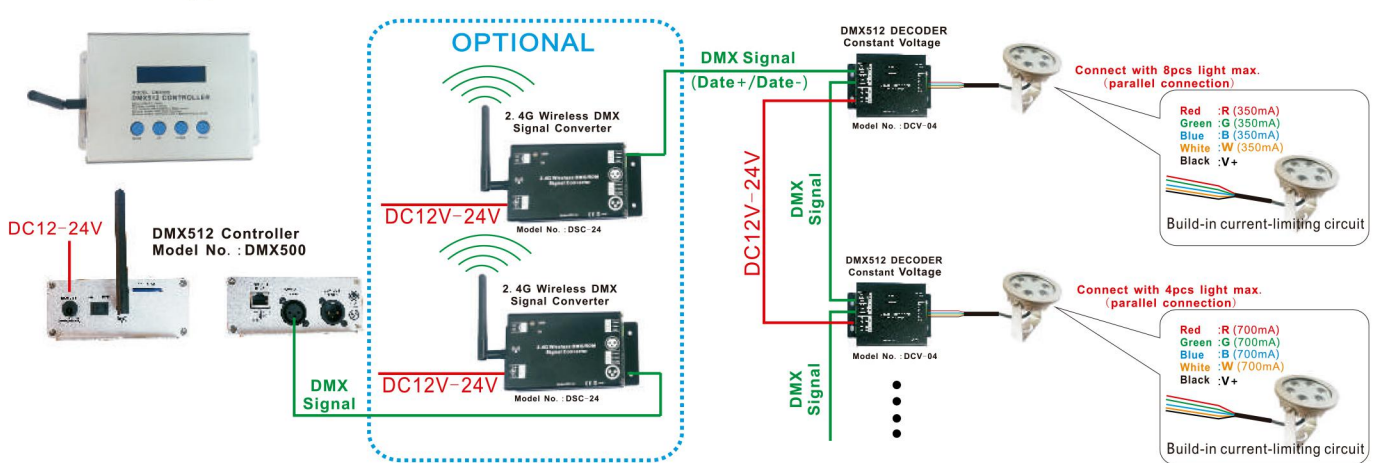
Signal Amplifier

Item Code: 88606
Model No.: WP-DSA-01

DMX512 (1)



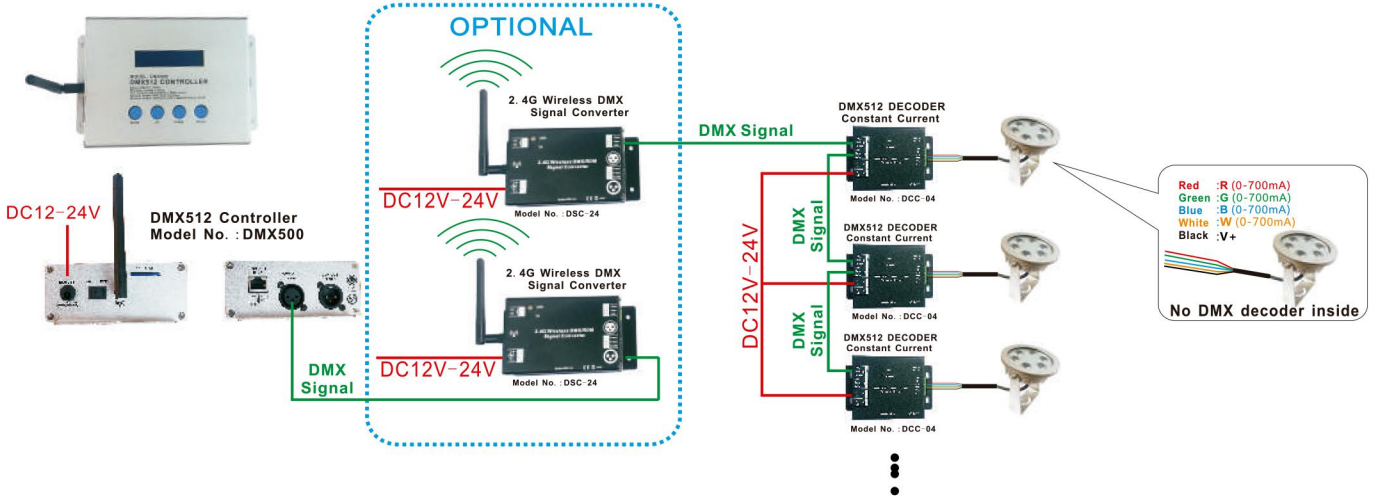
External (2)



Signal Amplifier

Item Code: 88606
Model No.: WP-DSA-01

External (3)



DMX512 Signal Amplifier (4)

