

# Signal Amplifier

## ► FEATURES

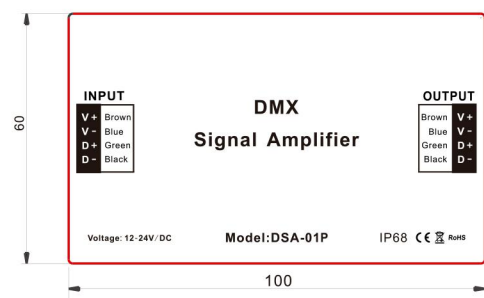
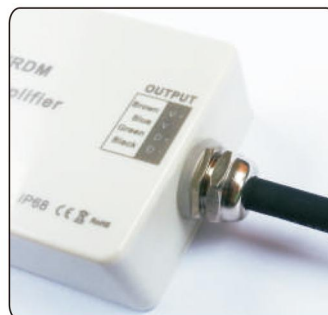
- DMX amplifier after receiving DMX signal to the output voltage of the normal DMX signal
- Extend the DMX signal transmission distance
- Increase the DMX signal driving ability



## ► SPECIFICATION

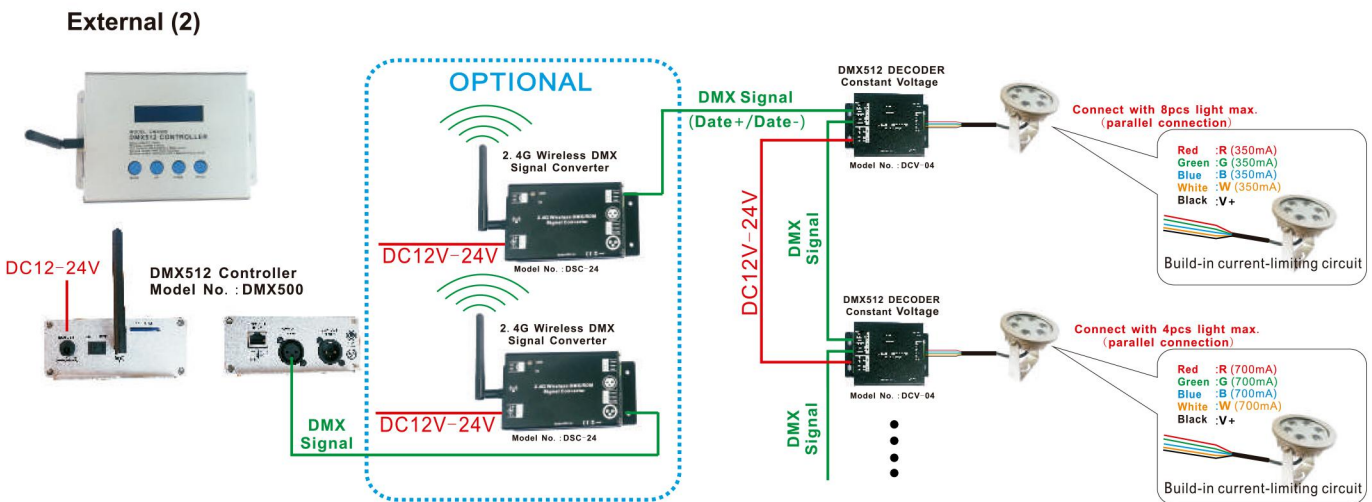
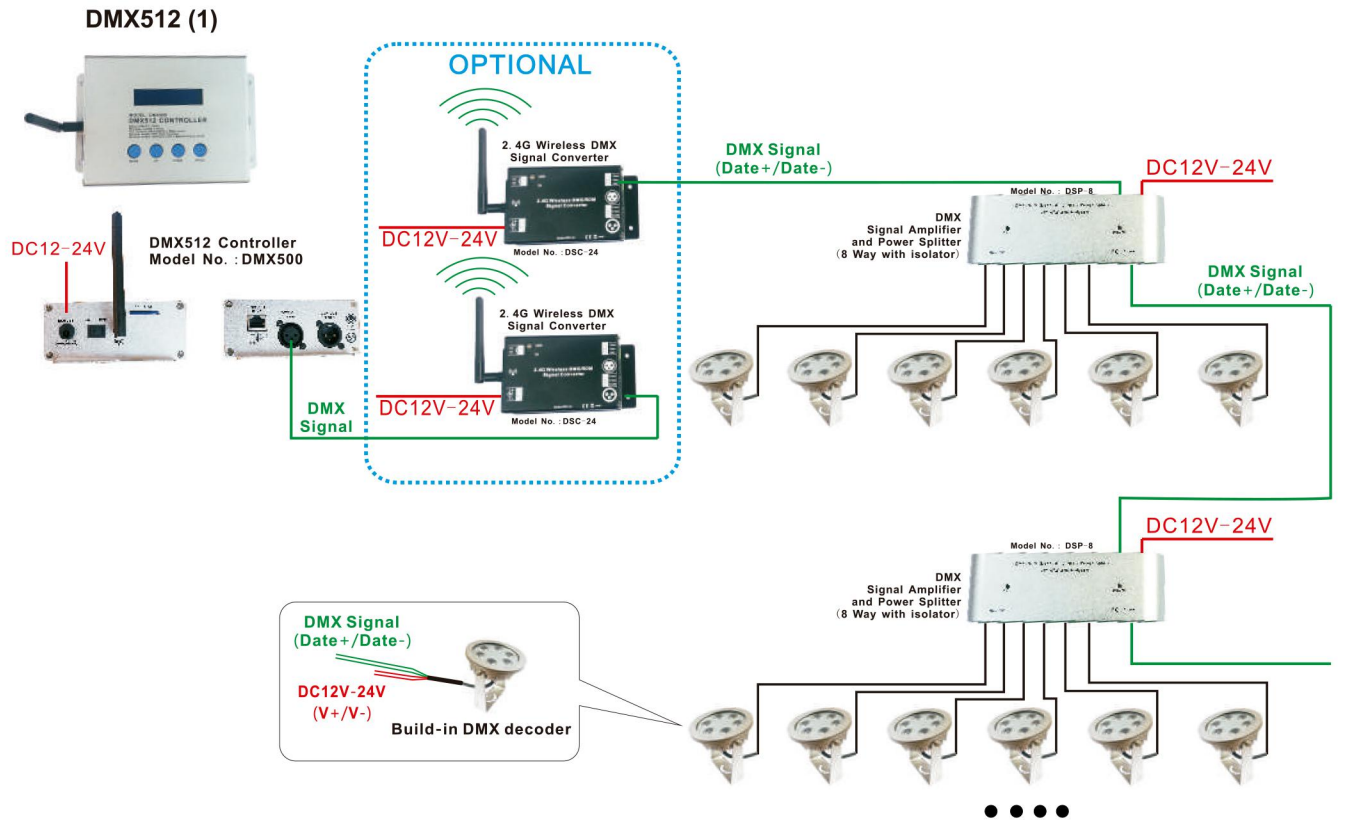
<b>INPUT INTERFACE</b>	1 x 4-wire rubber cable Brown wire: DC 12-24V (V+) blue wire: DC 12-24V (V-) Green wire: DMX in (D+) Black wire: DMX out (D-)
<b>OUTPUT INTERFACE</b>	1 x 4-wire rubber cable Brown wire: DC 12-24V (V+) blue wire: DC 12-24V (V-) Green wire: DMX in (D+) Black wire: DMX out (D-)
<b>INPUT/OUTPUT SIGNAL</b>	DMX
<b>HOUSING</b>	White plastic
<b>INGRESS PROTECTION RATANG</b>	IP68
<b>STORATION TEMPERATURE</b>	-30°C -60°C
<b>DIMENSION</b>	L100XW60XH30mm
<b>WIEGHT</b>	300g

## ► PHYSICAL DIMENSIONS:



# Signal Amplifier

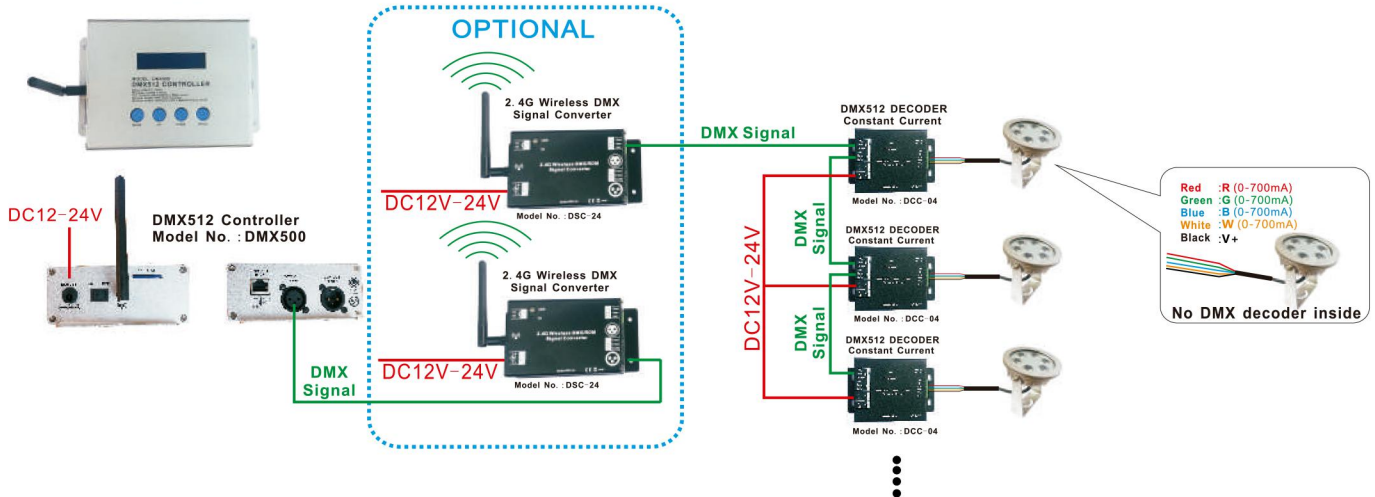
Item Code: 88607  
Model No.: WP-DSA-01P



# Signal Amplifier

Item Code: 88607  
Model No.: WP-DSA-01P

### External (3)



### DMX512 Signal Amplifier (4)

