

# Signal Amplifier with Power Splitter

Item Code: 88604  
Model No.: WP-DSP-12

## ▶ FEATURES

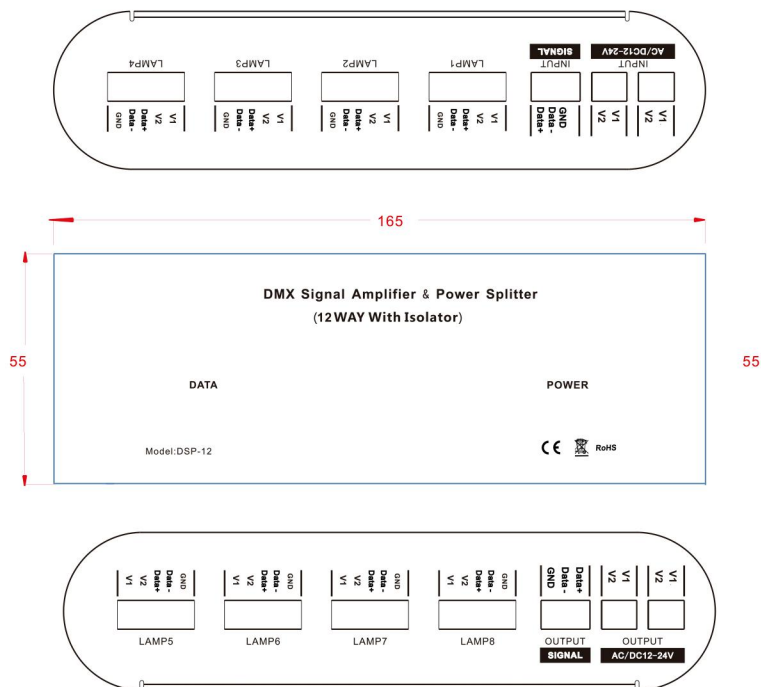
- Signal isolation and amplification
- power splitter
- 12 Way output connect 12 lights



## ▶ SPECIFICATION

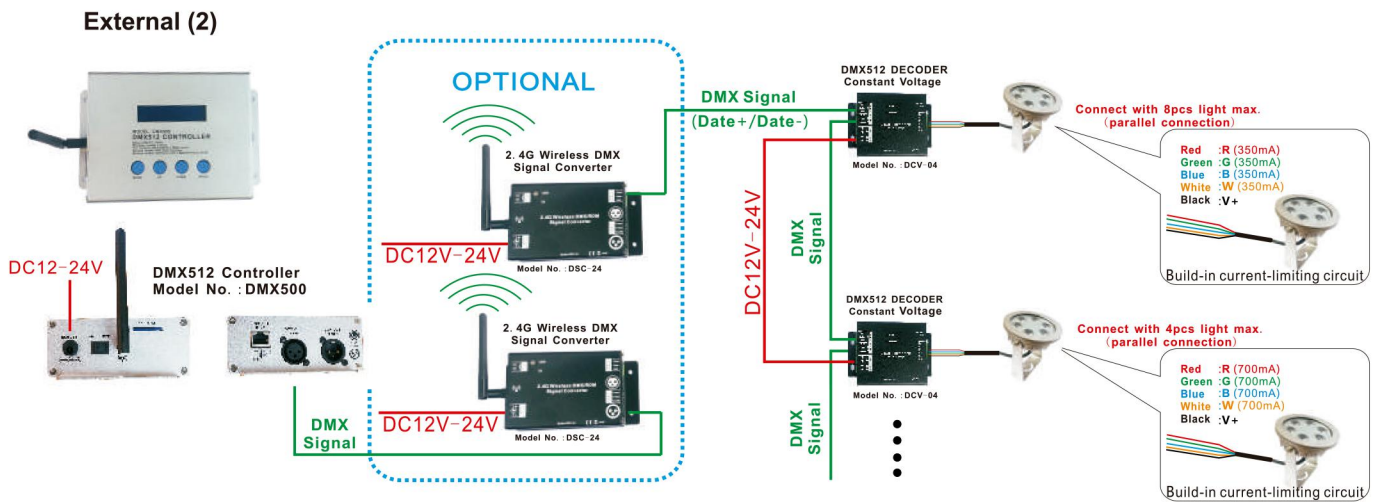
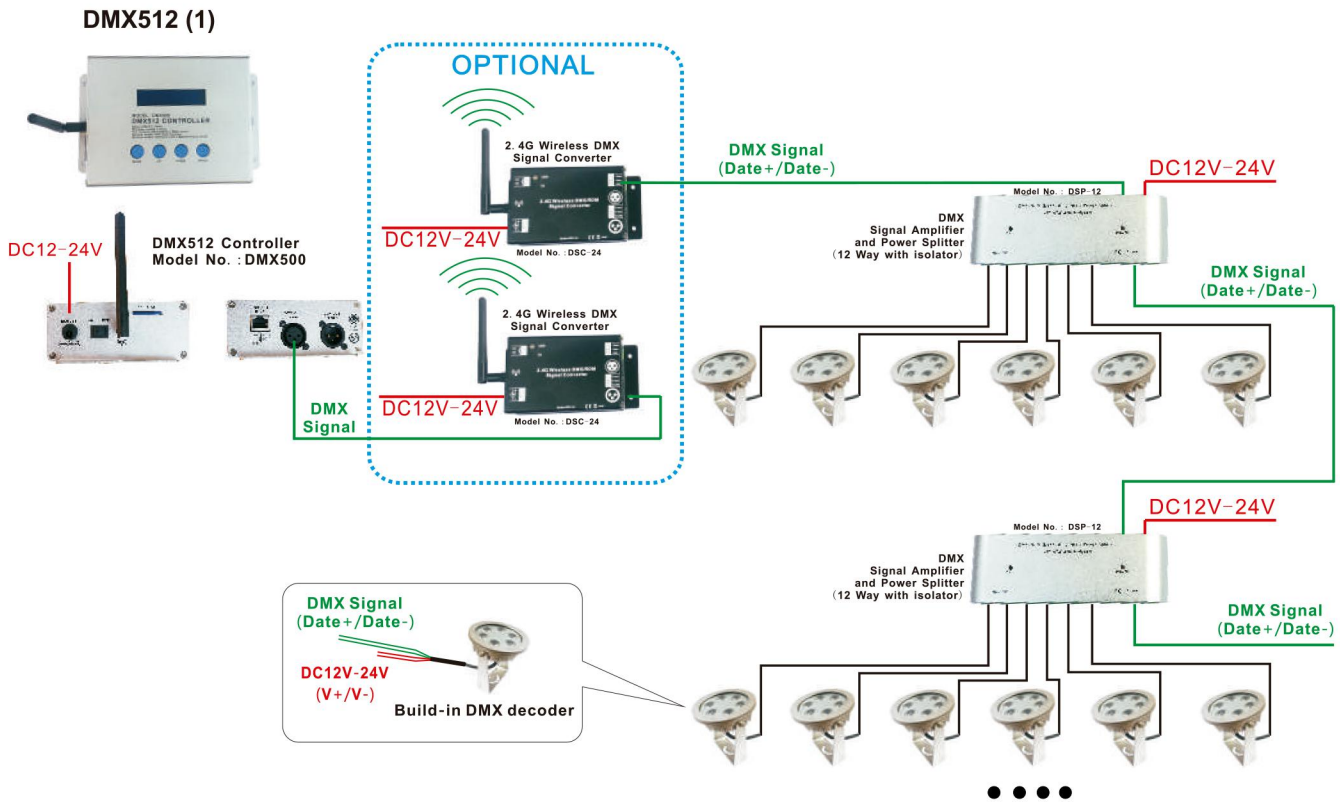
<b>INPUT INTERFACE</b>	1 x 2pin Green Terminals (DC12-24V) 1 x 3pin Green Terminals (DMX IN)
<b>OUTPUT INTERFACE</b>	1 x 2pin Green Terminals (DC12-24V) 1 x 3pin Green Terminals (DMX OUT) 12 x 4pin Green Terminals (connect 12 lights max. )
<b>INPUT/OUTPUT SIGNAL</b>	DMX
<b>HOUSING</b>	Sheet metal black powder finishing
<b>INGRESS PROTECTION RATING</b>	IP20
<b>STORATION TEMPERATURE</b>	-30°C-60°C
<b>DIMENSION</b>	L165XW55XH40mm
<b>WIEGHT</b>	300g

## ▶ PHYSICAL DIMENSIONS:



# Signal Amplifier with Power Splitter

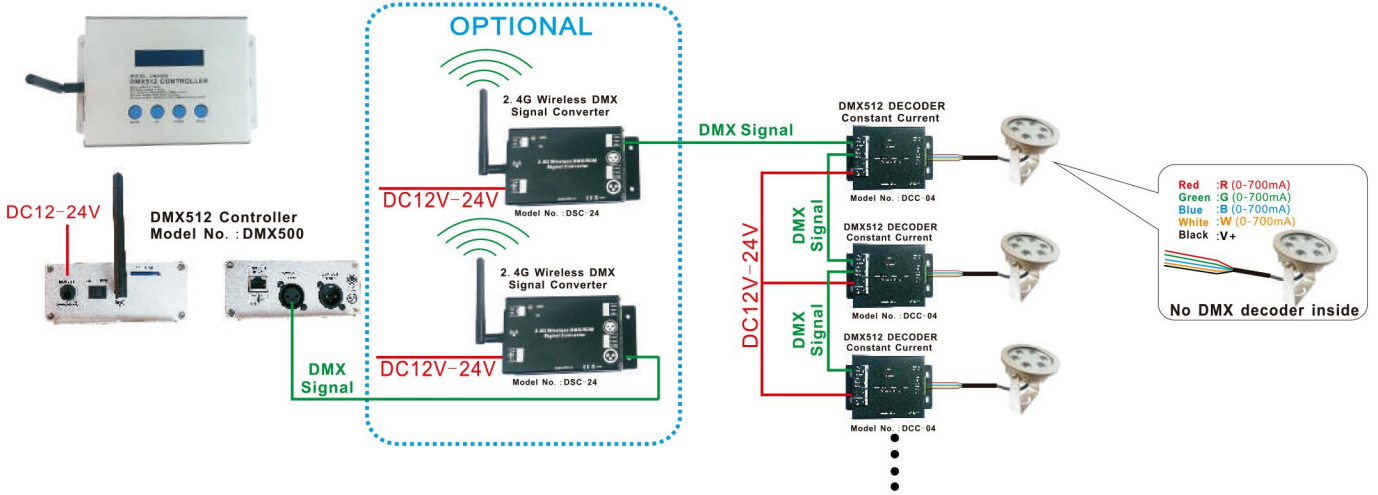
Item Code: 88604  
Model No.: WP-DSP-12



# Signal Amplifier with Power Splitter

Item Code: 88604  
Model No.: WP-DSP-12

### External (3)



### DMX512 Signal Amplifier (4)

