

► FEATURES

- High efficiency light source, Epistar, Cree, Edison 1W or 3in1 / 4in1 high power led.
- High quality Aluminum lamp fixture/lamp, Beautiful appearance and reasonable waterproof structure.
- Tempered glass as cover, heat-resisting and impact resistance.
- Supplied with 1m 3wires/4wires VDE rubber cable or UL rubber cable.
- Long life, up to 45,000 hours.
- Waterproof IP65, outdoor use.
- Beam angle 10-90°.

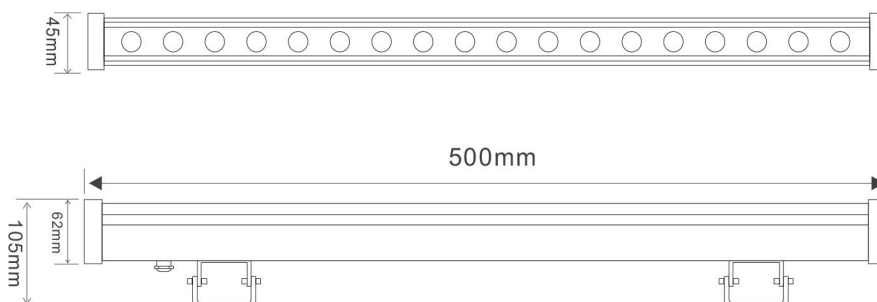


► OPTIONS ON REQUEST

- Cable lengths can be supplied according to your requirements
- Beam angle 10° 30° 45° 60° 90° 20*40° 10*60° 10*80° for optional
- Working voltage DC24V, AC90-240V is available.
- RDM, DMX512 (3 channel), DMX512 (4 channel), Auto change color can be optional.

► SPECIFICATION

Body size	L500 X W45 X H62mm (H105mm with bracket)
Output Power	18W
Luminous Flux Output	80-90LM/W
Rendering Index	Ra>70
Lens surface	Mirrored, Beaded, Striped
Light source	EDISON or CREE
IP Grade	IP65
Housing material	Aluminium+Tempered glass cover
Cable gland	PG9, Nickel-coated brass
Control Mode	Auto color change / DMX512 controllable



Order information

Item code	LED Q'ty	Color	Control Mode	Line Way	Working Voltage
88305.181.01	18pcs 1W LED	2700-3000K	/	V+/V- or L/N/G	DC24V AC90-230V
88305.181.02	18pcs 1W LED	4000-4500K	/	V+/V- or L/N/G	DC24V AC90-230V
88305.181.03	18pcs 1W LED	5000-5500K	/	V+/V- or L/N/G	DC24V AC90-230V
88305.181.04	18pcs 1W LED	6000-6500K	/	V+/V- or L/N/G	DC24V AC90-230V
88305.181.05	18pcs 1W LED	Red	/	V+/V- or L/N/G	DC24V AC90-230V
88305.181.06	18pcs 1W LED	Green	/	V+/V- or L/N/G	DC24V AC90-230V
88305.181.07	18pcs 1W LED	Blue	/	V+/V- or L/N/G	DC24V AC90-230V
88305.181.08	18pcs 1W LED	Yellow	/	V+/V- or L/N/G	DC24V AC90-230V
88305.181.09	18pcs 1W LED (6R+6G+6B)	RGB	DMX512 (3 channel)	V+/V-/D+/D-	DC24V
88305.181.10	18pcs 1W LED (6R+6G+6B)	RGB	Auto control	V+/V-	AC24V
88305.181.12	18pcs 1W LED (6R+6G+6B)	RGB	External Build-in current-limiting circuit	R/G/B/V+	DC24V

Please contact us freely if you have any special requirements.

Accessories

**IP23 Switch Power Supply**

Will be chosed according to the light quantity and cable length.

**IP66 Switch Power Supply**

Will be chosed according to the light quantity and cable length.

**88612**

DMX512 CONTROLLER
Model No. : DMX500

**88607**

IP68 DMX/RDM signal amplifier
Model No.: DSA-01P

**88605**

2. 4G wireless DMX/RDM
signal converter
Model No.: DSC-24

**88606**

DMX/RDM signal amplifier
Model No.: DSA-01

**88604**

12 way DMX/RDM
signal amplifier and power splitter
Model No.: DSP-12

Item Code: 88305
Model No.: WP-WW18W-BS

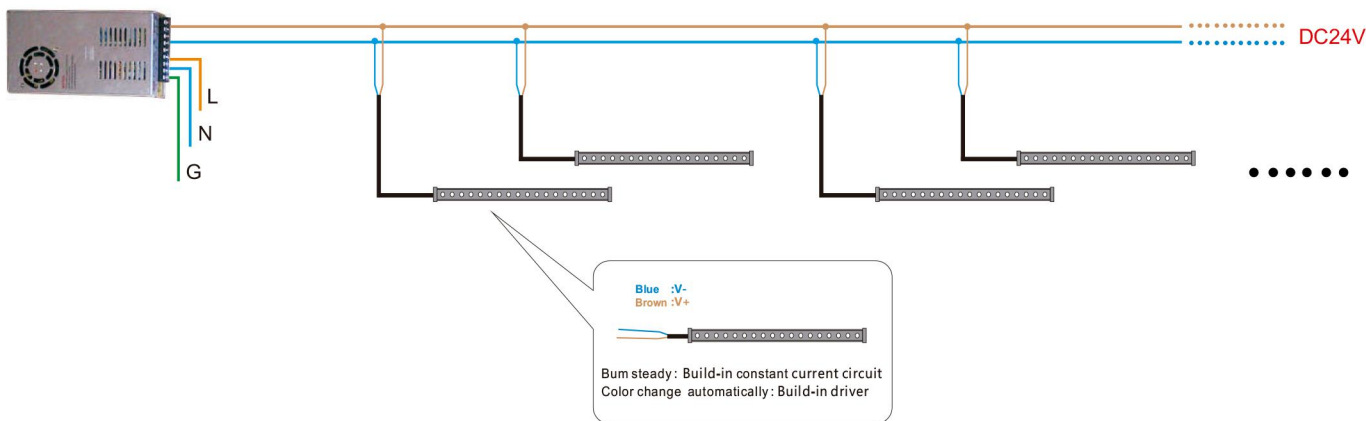
18W LED Wallwasher



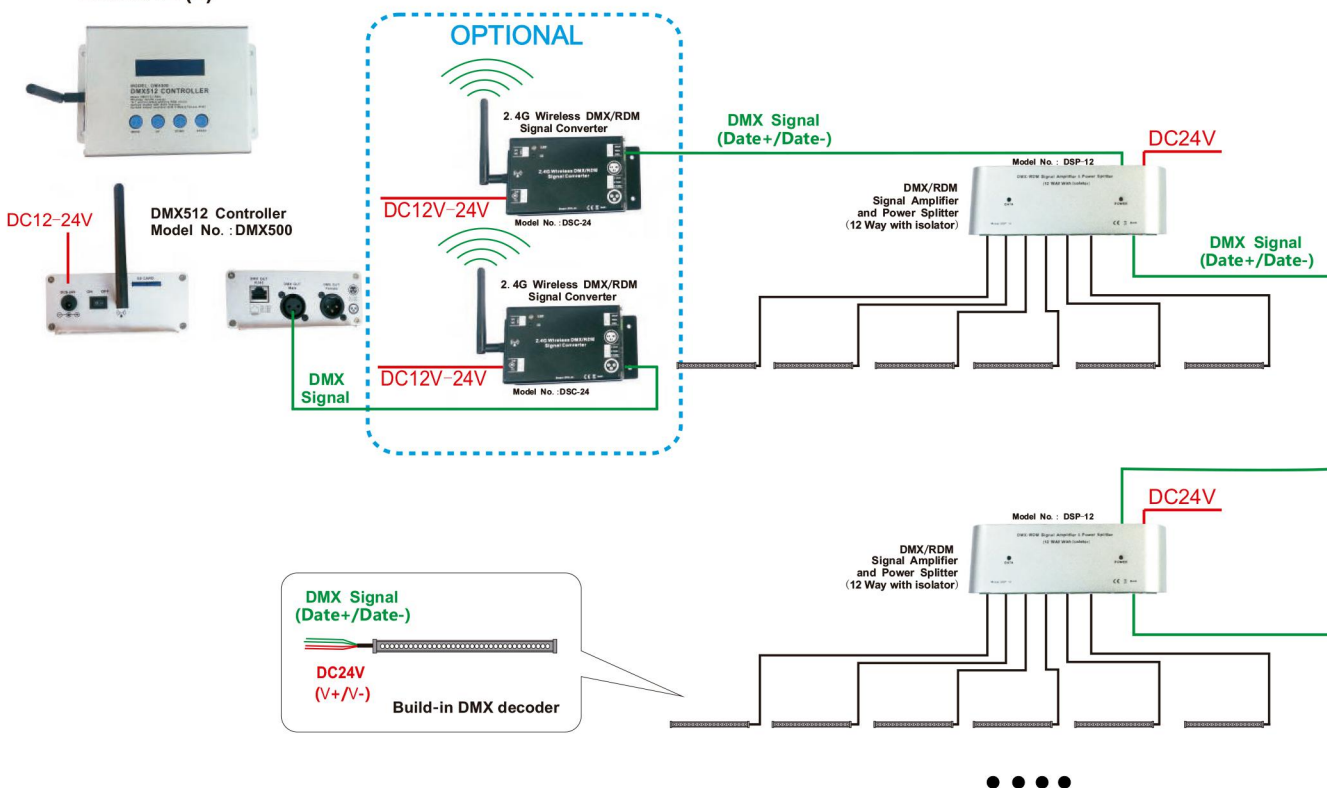
18W LED Wallwasher

Item Code: 88305
Model No.: WP-WW18W-BS

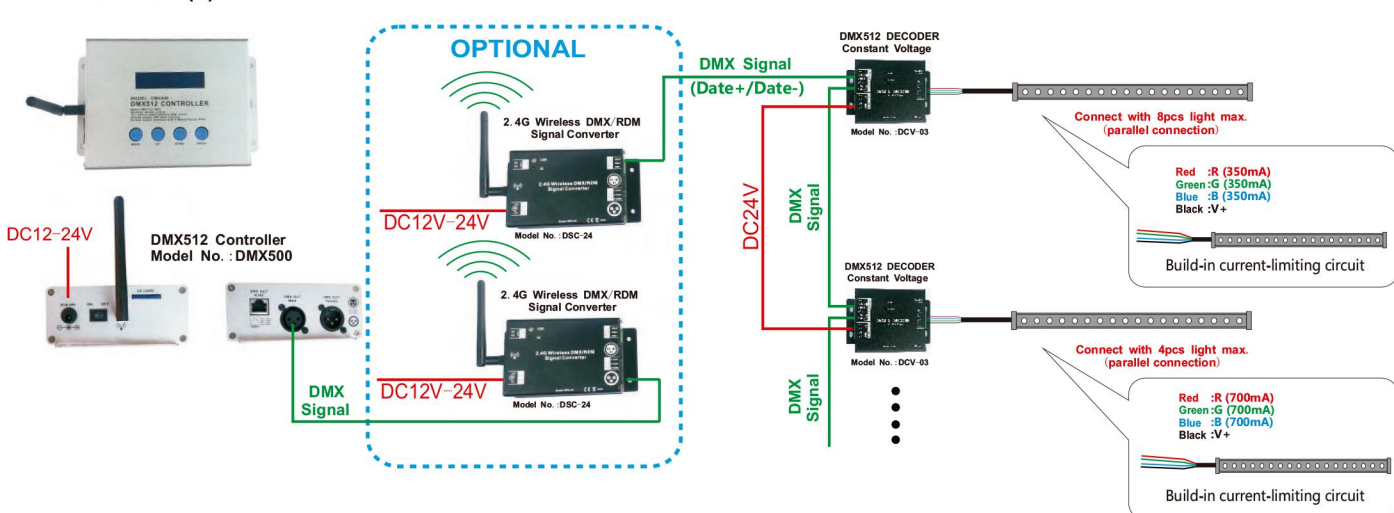
Single color (1)



DMX512 (2)



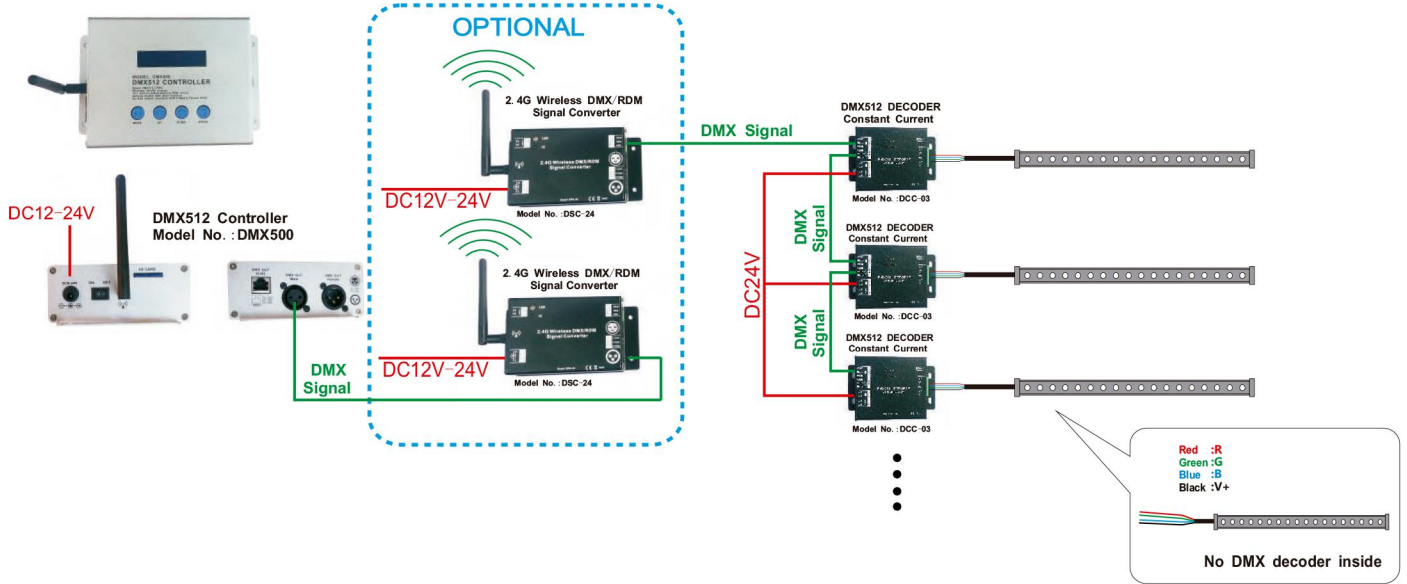
External (3)



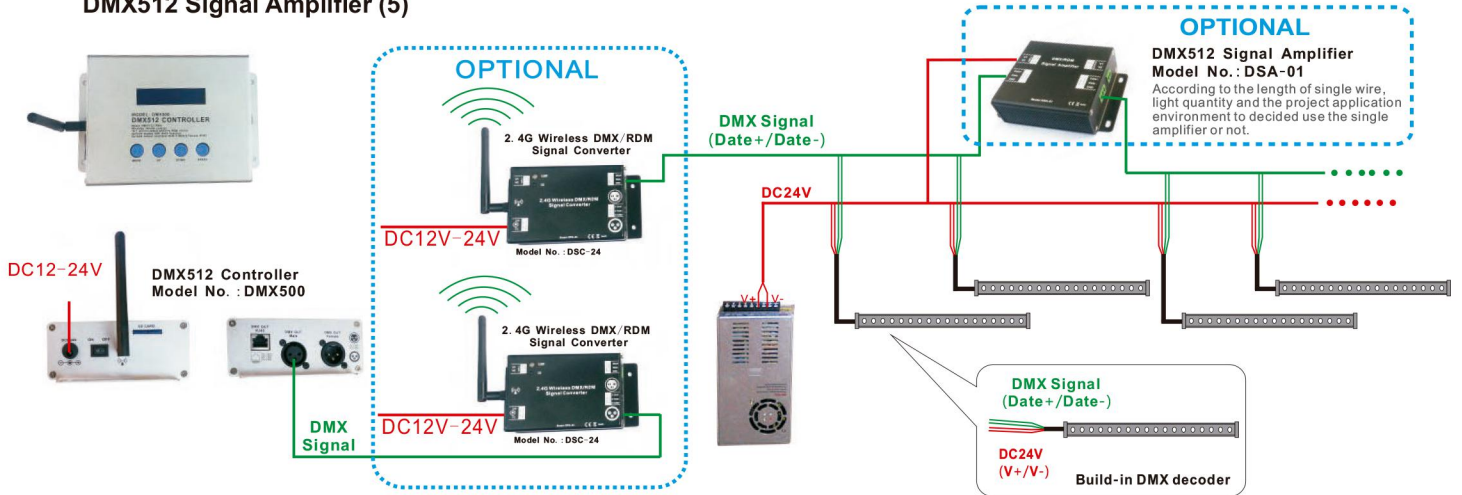
18W LED Wallwasher

Item Code: 88305
 Model No.: WP-WW18W-BS

External (4)



DMX512 Signal Amplifier (5)



Wiring Diagram (6)

