

► FEATURES

- High efficiency light source, Epistar, Cree, Edison 1W high power led.
- High quality Aluminum lamp fixture/lamp, Beautiful appearance and reasonable waterproof structure.
- Tempered glass as cover, heat-resisting and impact resistance.
- Supplied with 1m 3wires/4wires VDE rubber cable.
- Long life, up to 45,000 hours.
- Waterproof IP65, outdoor use.
- Beam angle 10-90°.

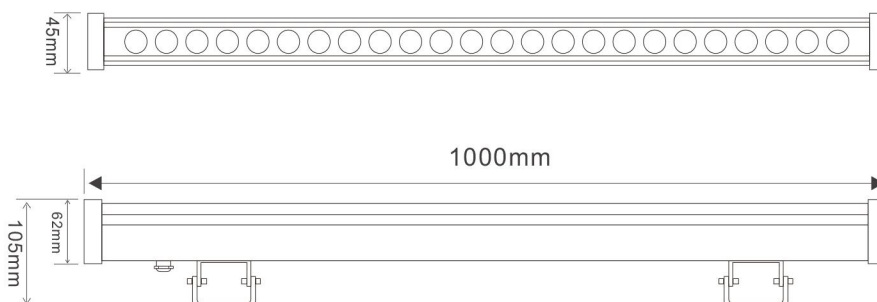


► OPTIONS ON REQUEST

- Cable lengths can be supplied according to your requirements
- Beam angle 10° 30° 45° 60° 90° 20*40° 10*60° 10*80° for optional
- Working voltage DC24V, AC90-240V is available.
- RDM, DMX512 (3 channel), Auto change color can be optional.

► SPECIFICATION

| | |
|-----------------------------|---|
| Body size | L1000 X W45 X H62mm (H105mm with bracket) |
| Output Power | 24W |
| Luminous Flux Output | 80-90LM/W |
| Rendering Index | Ra>70 |
| Lens surface | Mirrored, Beaded, Striped |
| Light source | EDISON or CREE |
| IP Grade | IP65 |
| Housing material | Aluminium+Tempered glass cover |
| Cable gland | PG9, Nickel-coated brass |
| Control Mode | Auto color change / DMX512 controllable |



Order information

| Item code | LED Q'ty | Color | Control Mode | Line Way | Working Voltage |
|--------------|----------------------------|------------|--|----------------|-----------------|
| 88306.241.01 | 24pcs 1W LED | 2700-3000K | / | V+/V- or L/N/G | DC24V AC90-230V |
| 88306.241.02 | 24pcs 1W LED | 4000-4500K | / | V+/V- or L/N/G | DC24V AC90-230V |
| 88306.241.03 | 24pcs 1W LED | 5000-5500K | / | V+/V- or L/N/G | DC24V AC90-230V |
| 88306.241.04 | 24pcs 1W LED | 6000-6500K | / | V+/V- or L/N/G | DC24V AC90-230V |
| 88306.241.05 | 24pcs 1W LED | Red | / | V+/V- or L/N/G | DC24V AC90-230V |
| 88306.241.06 | 24pcs 1W LED | Green | / | V+/V- or L/N/G | DC24V AC90-230V |
| 88306.241.07 | 24pcs 1W LED | Blue | / | V+/V- or L/N/G | DC24V AC90-230V |
| 88306.241.08 | 24pcs 1W LED | Yellow | / | V+/V- or L/N/G | DC24V AC90-230V |
| 88306.241.09 | 24pcs 1W LED (8R+8G+8B) | RGB | DMX512 (3 channel) | V+/V-/D+/D- | DC24V |
| 88306.241.10 | 24pcs 1W LED (8R+8G+8B) | RGB | Auto control | V+/V- | AC24V |
| 88306.241.12 | 24pcs 1W LED (8R+8G+8B) | RGB | External Build-in current-limiting circuit | R/G/B/V+ | DC24V |

Please contact us freely if you have any special requirements.

Accessories

**IP23 Switch Power Supply**

Will be chosed according to the light quantity and cable length.

**IP66 Switch Power Supply**

Will be chosed according to the light quantity and cable length.

**88612**

DMX512 CONTROLLER
Model No. :DMX500

**88607**

IP68 DMX/RDM signal amplifier
Model No.: DSA-01P

**88605**

2.4G wireless DMX/RDM
signal converter
Model No.: DSC-24

**88606**

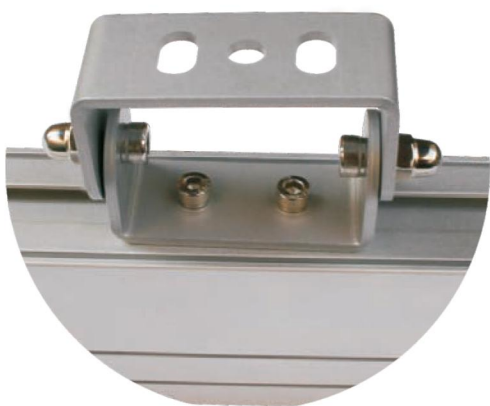
DMX/RDM signal amplifier
Model No.: DSA-01

**88604**

12 way DMX/RDM
signal amplifier and power splitter
Model No.: DSP-12

24W LED Wallwasher

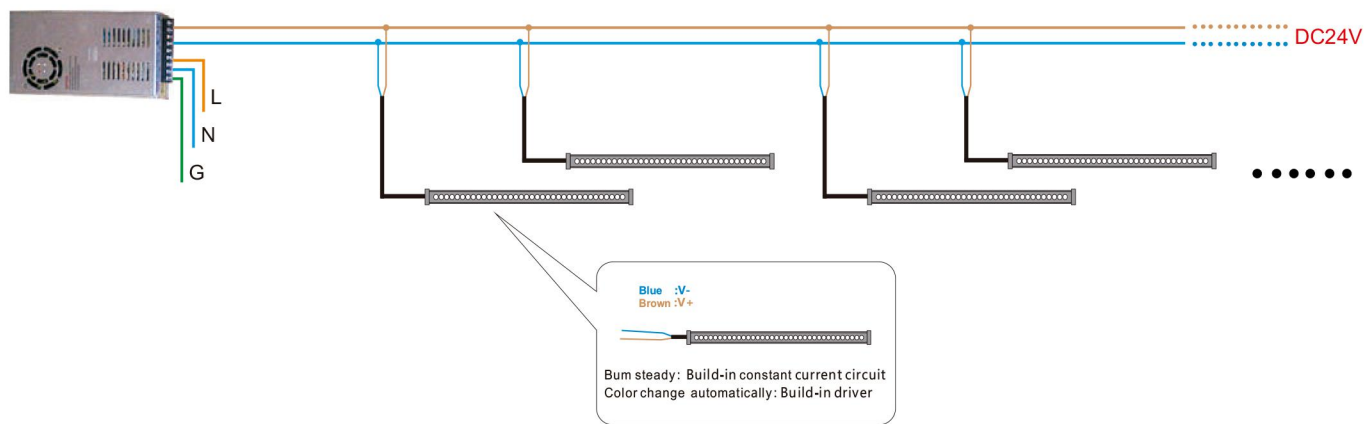
Item Code: 88306
Model No.: WP-WW24W-B



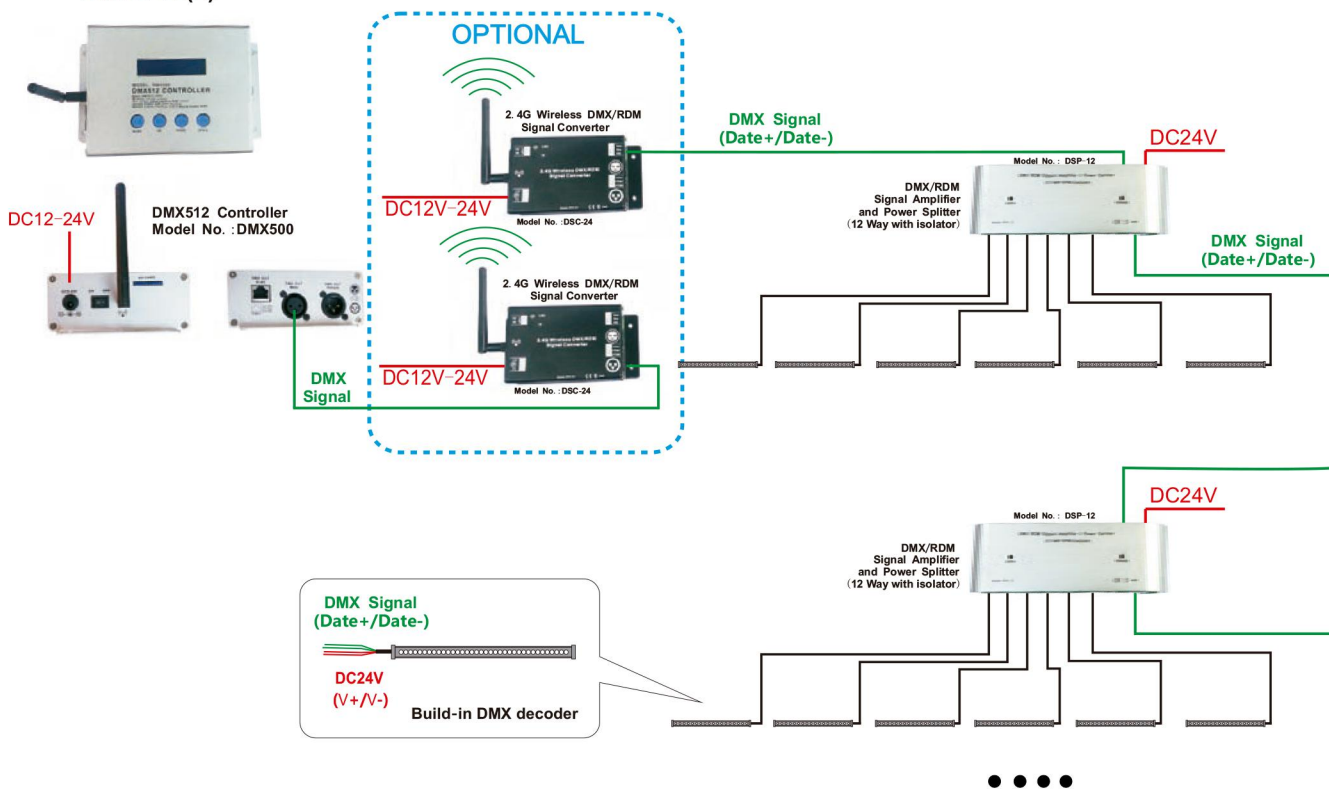
24W LED Wallwasher

Item Code: 88306
Model No.: WP-WW24W-B

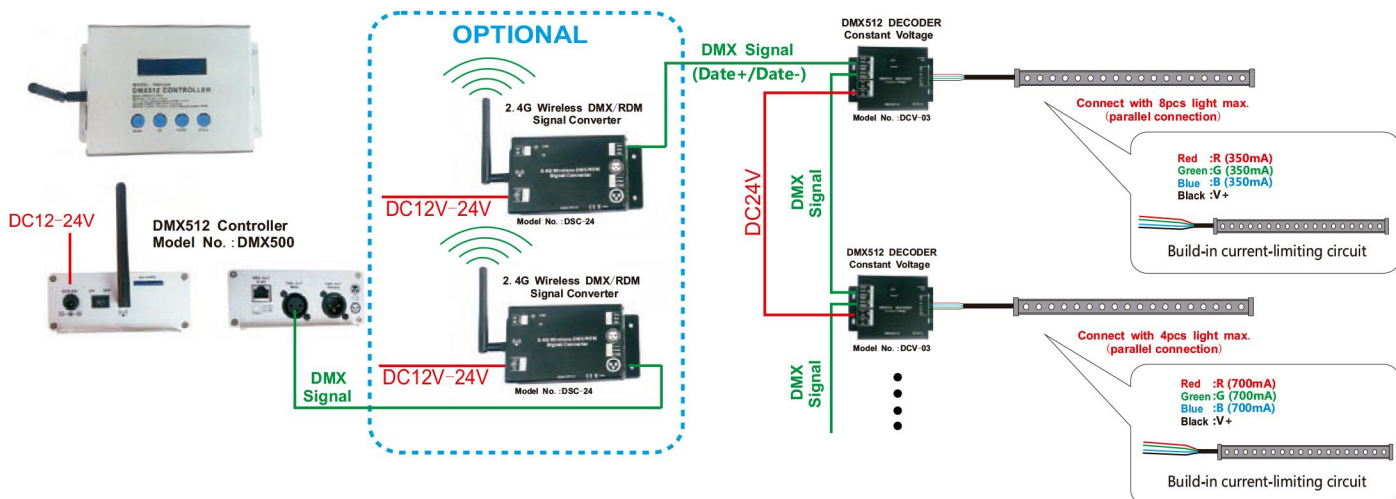
Single color (1)



DMX512 (2)



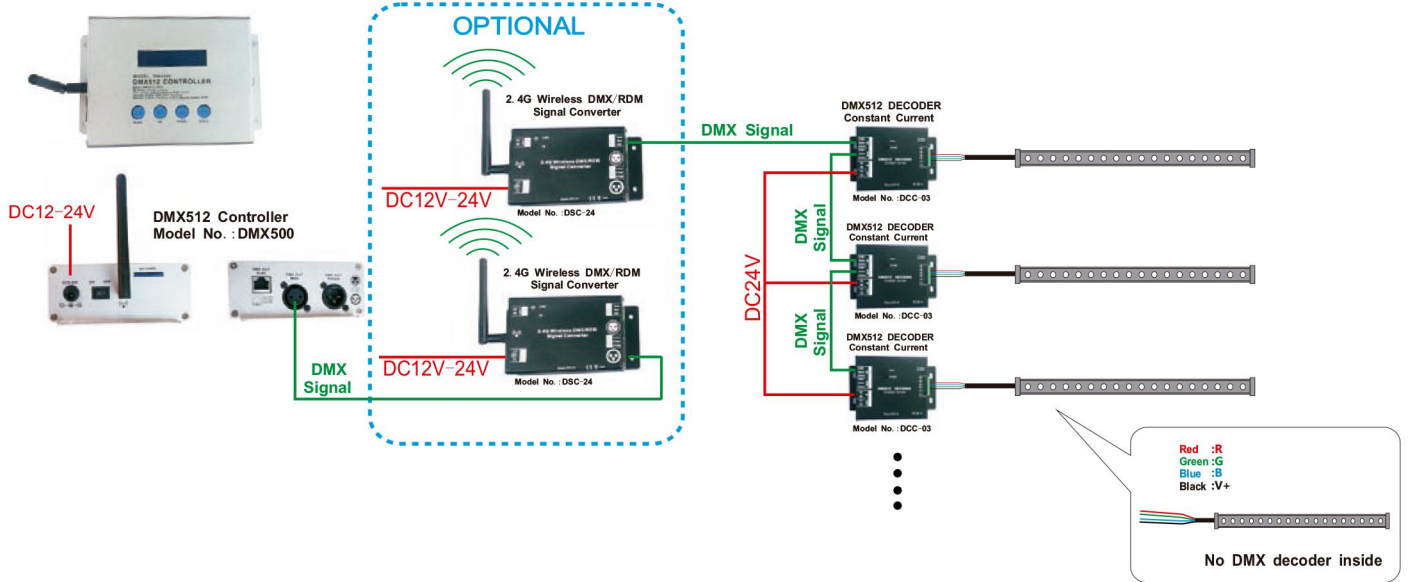
External (3)



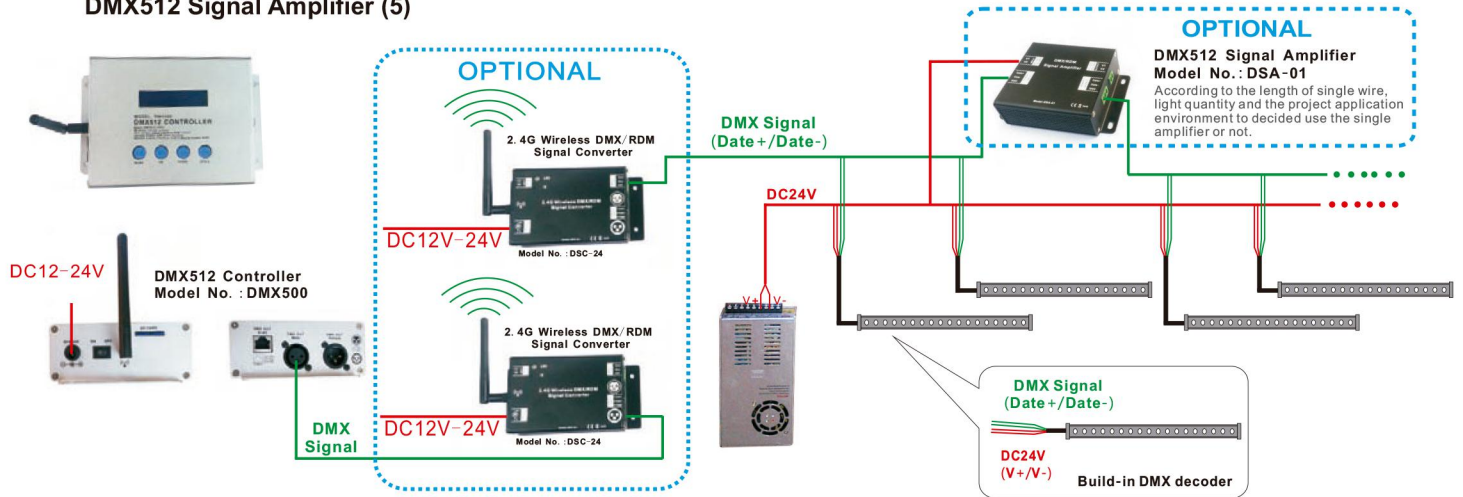
24W LED Wallwasher

Item Code: 88306
Model No.: WP-WW24W-B

External (4)



DMX512 Signal Amplifier (5)



Wiring Diagram (6)

