

72W LED Wallwasher

▶ FEATURES

- High efficiency light source, Epistar, Cree, Edison 1W or 3in1 / 4in1 high power led.
- High quality Aluminum lamp fixture/lamp, Beautiful appearance and reasonable waterproof structure.
- Tempered glass as cover, heat-resisting and impact resistance.
- Supplied with 1m 3wires/4wires VDE rubber cable or UL rubber cable.
- Long life, up to 45,000 hours.
- Waterproof IP65, outdoor use.
- Beam angle 8-90°.

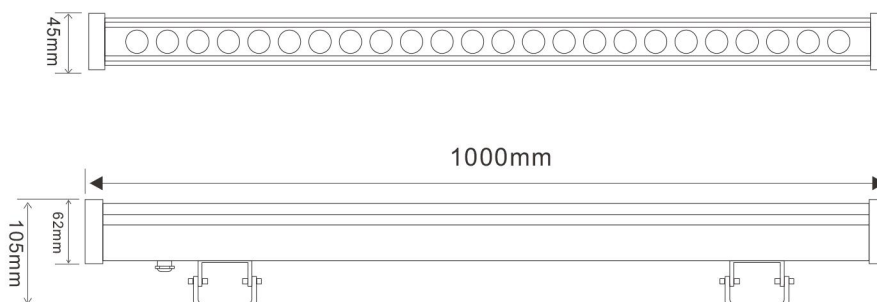


▶ OPTIONS ON REQUEST

- Cable lengths can be supplied according to your requirements
- Beam angle 8° 15° 30° 45° 60° 90° 15*40° 20*45° 20*40° 20*60° for optional
- Working voltage DC24V, AC90-240V is available.

▶ SPECIFICATION

Body size	L1000 X W45 X H62mm (H105mm with bracket)
Output Power	72W (24pcs 3 in 1, Only can be used under the condition of RGB color change)
Luminous Flux Output	80-90LM/W
Rendering Index	Ra>70
Lens surface	Mirrored, Frosting, Beaded, Striped
Light source	EDISON or CREE
IP Grade	IP65
Housing material	Aluminium+Tempered glass cover
Cable gland	PG9, Nickel-coated brass
Control Mode	Auto color change / DMX512 controllable



Order information

Item code	Lamps	Color	Controller Mode	Line Way	Working Voltage
88304.243.01	24pcs 3W LED (24R+24G+24B)	RGB	DMX512 (3 channel)	V+/V-/D+/D-	DC24V
88304.243.02	24pcs 3W LED (24R+24G+24B)	RGB	Auto control	V+/V-	DC24V
88304.243.03	24pcs 3W LED (24R+24G+24B)	RGB	External No driver inside	V+/V-/D+/D-	DC24V
88304.243.04	24pcs 3W LED (24R+24G+24B)	RGB	External Build-in current-limiting circuit	R/G/B/V+	DC24V

Please contact us freely if you have any special requirements.

Accessories



93000023

T type IP68 quick connector suitable for 6.8-10mm \varnothing cables max. 3 x 2.5mm² or 5 x 2.5mm²



93000024

IP68 quick connector suitable for 6.8-10mm \varnothing cables max. 3 x 2.5mm²



93000025

IP68 quick connector suitable for 6.8-10mm \varnothing cables max. 5 x 2.5mm²



IP23 Switch Power Supply

Will be chosed according to the light quantity and cable length.



IP68 Switch Power Supply

Will be chosed according to the light quantity and cable length.



88612

DMX512 CONTROLLER
Model No. : DMX500



88605

2.4G wireless DMX/RDM signal converter
Model No.: DSC-24



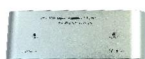
88608

DMX512 decoder (constant current)
Model No.: DCC-03



88609

DMX512 decoder (constant voltage)
Model No. : DCV-03



88604

12 way DMX/RDM signal amplifier and power splitter
Model No.: DSP-12



88606

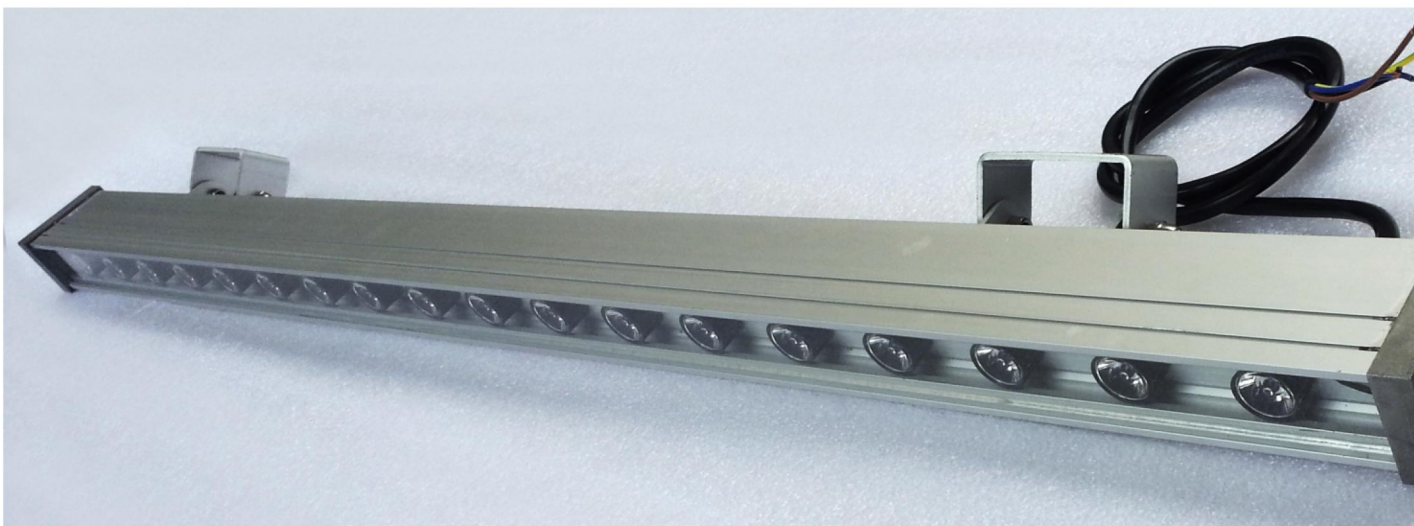
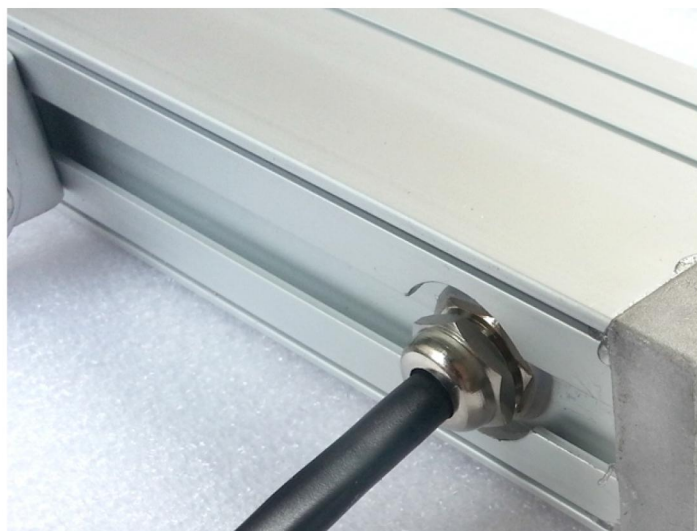
DMX/RDM signal amplifier
Model No.: DSA-01



88607

IP68 DMX/RDM signal amplifier
Model No.: DSA-01P

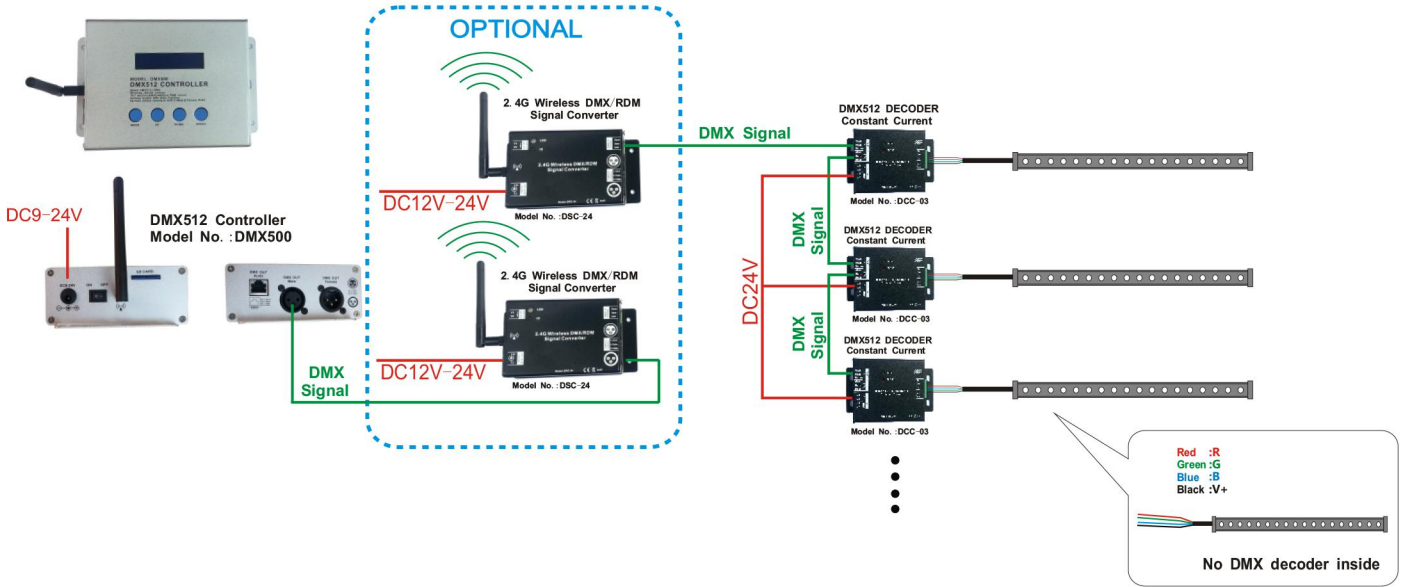
72W LED Wallwasher



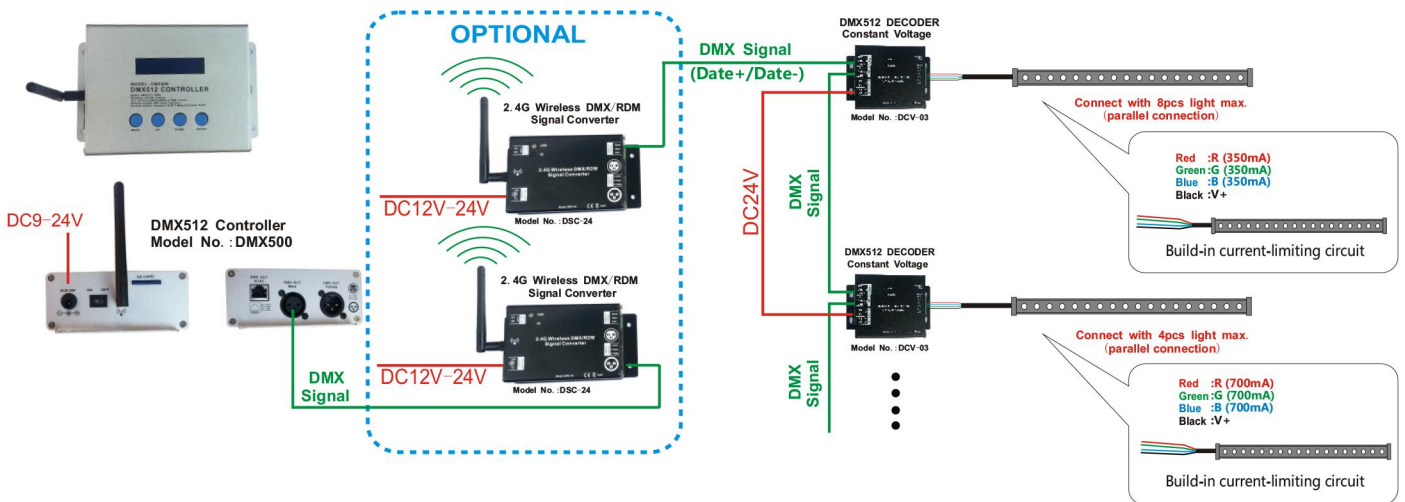
72W LED Wallwasher

Item Code: 88304
Model No.: WP-WW72W-B

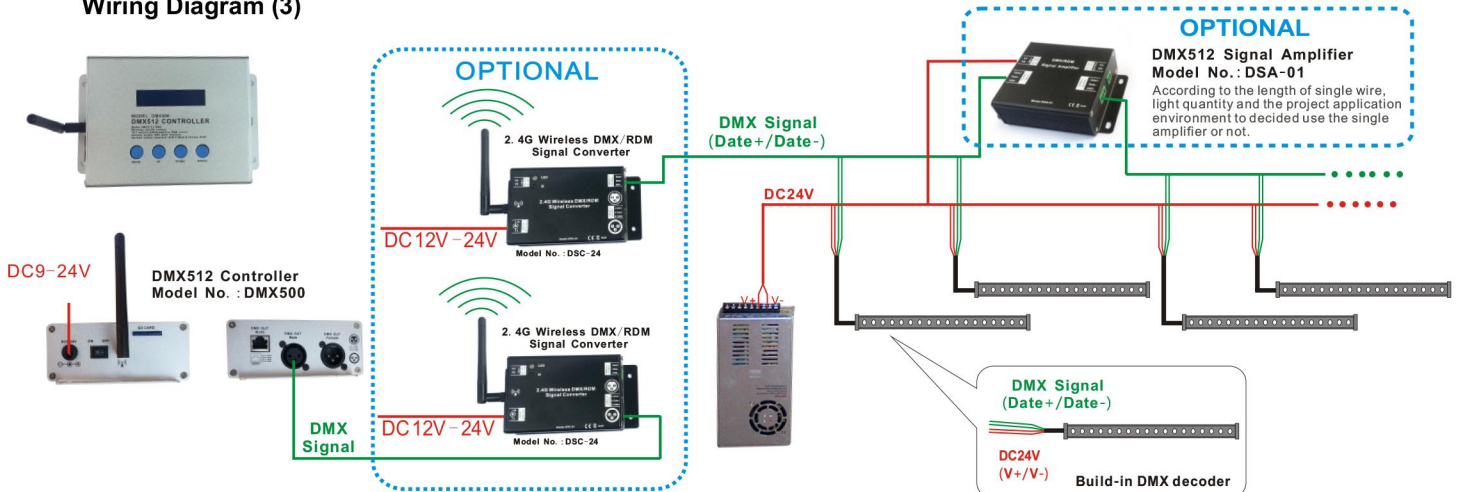
Wiring Diagram (1)



Wiring Diagram (2)



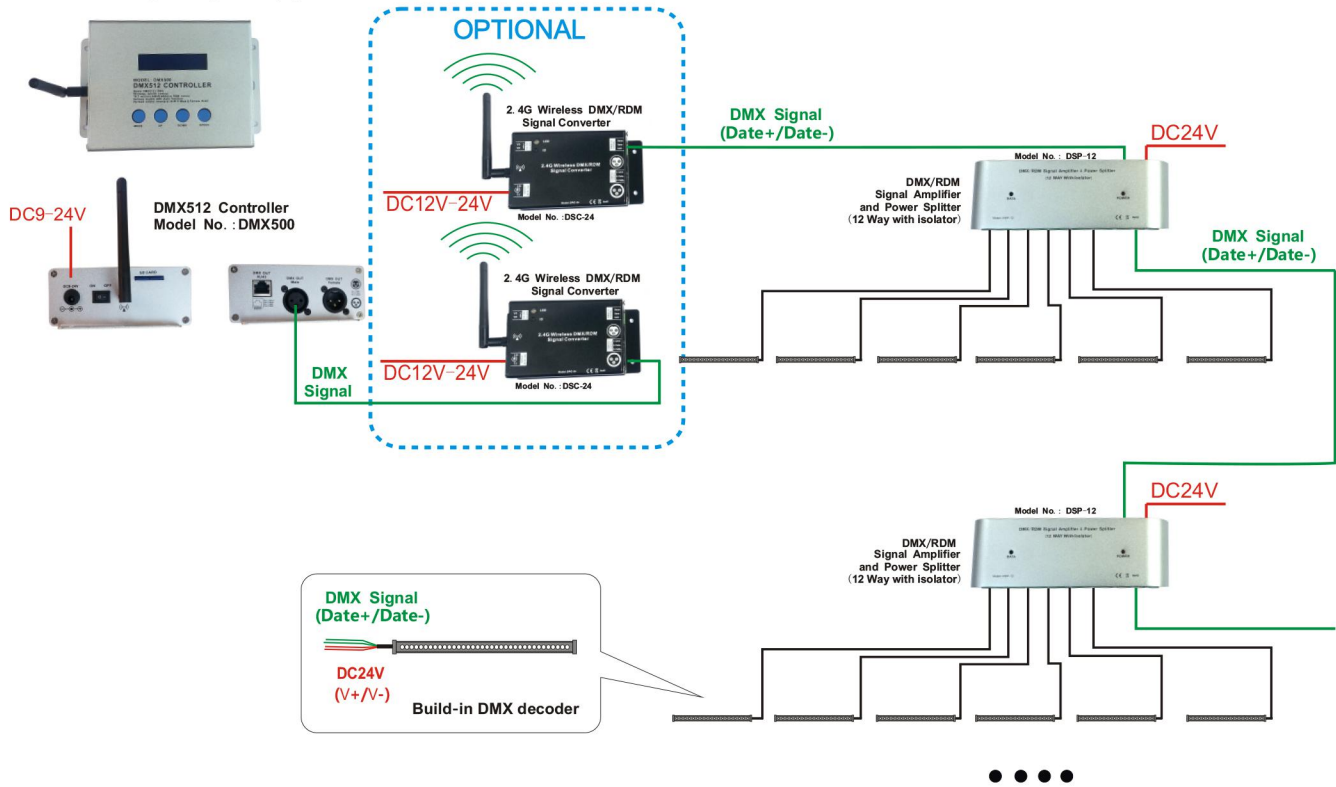
Wiring Diagram (3)



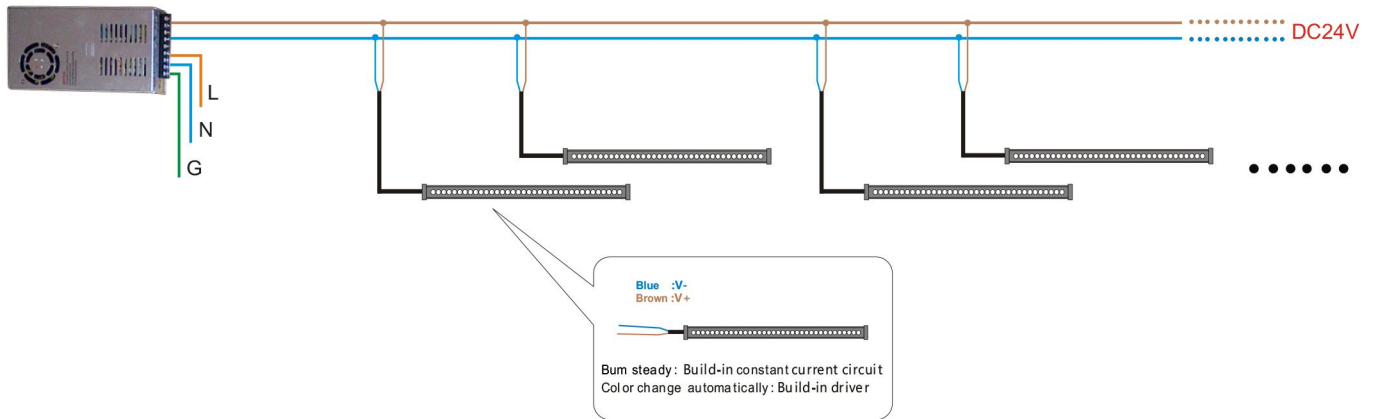
72W LED Wallwasher

Item Code: 88304
Model No.: WP-WW72W-B

Wiring Diagram (4)



Wiring Diagram (5)



Wiring Diagram (6)

