

## ► FEATURES

- High efficiency light source, Cree 3W high power led.
- High quality Stainless steel 316 lamp fixture / lamp, Beautiful appearance and reasonable waterproof structure.
- Tempered glass as cover, heat-resisting and impact resistance.
- Supplied with 1m 3wires / 5wires VDE rubber cable or UL rubber cable.
- Long life, up to 45,000 hours.
- Waterproof IP68, outdoor use.
- Beam angle 10-90°.

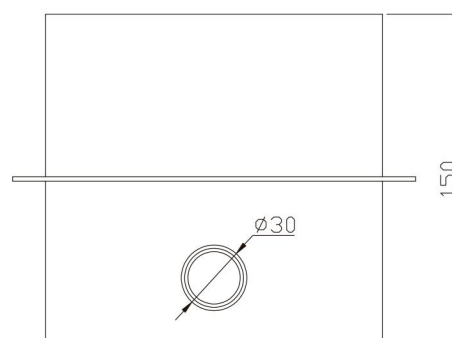
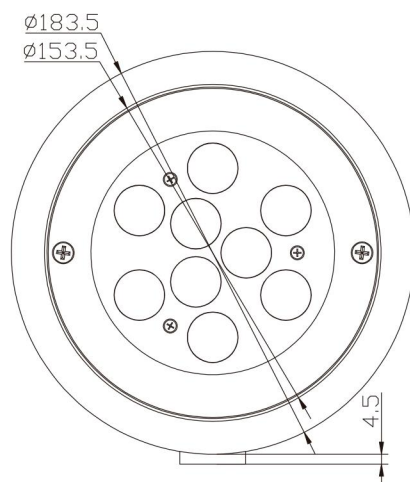
## ► OPTIONS ON REQUEST

- Cable lengths can be supplied according to your requirements
- Beam angle 10° 30° 45° 60° 90° for optional
- Working voltage AC12V, DC12V, DC24V is available.
- 316L or 316Ti is optional
- RDM, DMX512 (3 channel), Auto change color can be optional.



## ► SPECIFICATION

<b>Body size</b>	D154 x H150mm
<b>Output Power</b>	27W
<b>Luminous Flux Output</b>	80-90LM/W
<b>Rendering Index</b>	Ra>70
<b>Lens surface</b>	Mirrored, Beaded, Striped
<b>Light source</b>	CREE
<b>IP Grade</b>	IP68
<b>Housing material</b>	Stainless steel 316
<b>Cable gland</b>	PG13.5, Stainless steel 316
<b>Control Mode</b>	Auto color change / DMX512 controllable



## Order information

Item code	LED Q'ty	Color	Control Mode	Line Way	Working Voltage
88252.093.01	9pcs 3W LED	2700-3000K	/	V+/V-	AC12V DC12V DC24V
88252.093.02	9pcs 3W LED	4000-4500K	/	V+/V-	AC12V DC12V DC24V
88252.093.03	9pcs 3W LED	5000-5500K	/	V+/V-	AC12V DC12V DC24V
88252.093.04	9pcs 3W LED	6000-6500K	/	V+/V-	AC12V DC12V DC24V
88252.093.05	9pcs 3W LED	Red	/	V+/V-	AC12V DC12V DC24V
88252.093.06	9pcs 3W LED	Green	/	V+/V-	AC12V DC12V DC24V
88252.093.07	9pcs 3W LED	Blue	/	V+/V-	AC12V DC12V DC24V
88252.093.08	9pcs 3W LED	Yellow	/	V+/V-	AC12V DC12V DC24V
88252.093.09	9pcs 3W LED (3R+3G+3B)	RGB	DMX512 (3 channel)	V+/V-/D+/D-	AC12V DC12V DC24V
88252.093.10	9pcs 3W LED (9R+9G+9B)	RGB	DMX512 (3 channel)	V+/V-/D+/D-	/
88252.093.11	9pcs 3W LED (3R+3G+3B)	RGB	Auto control	V+/V-	AC12V
88252.093.13	9pcs 3W LED (3R+3G+3B)	RGB	External Build-in current-limiting circuit	R/G/B/V+	DC12V DC24V

Please contact us freely if you have any special requirements.

## Accessories

**93000023**

T type IP68 quick connector suitable for 6.8-10mm Ø cables max. 3 x 2.5mm<sup>2</sup> or 5 x 2.5mm<sup>2</sup>

**93000024**

IP68 quick connector suitable for 6.8-10mm Ø cables max. 3 x 2.5mm<sup>2</sup>

**93000025**

IP68 quick connector suitable for 8-12mm Ø cables max. 5 x 2.5mm<sup>2</sup>

**IP23 Switch Power Supply**

Will be chosed according to the light quantity and cable length.

**IP66 Switch Power Supply**

Will be chosed according to the light quantity and cable length.

**88612**

DMX512 CONTROLLER  
Model No.: DMX500

**88605**

2.4G wireless DMX/RDM signal converter  
Model No.: DSC-24

**88606**

DMX/RDM signal amplifier  
Model No.: DSA-01

**12000011**

Material: 316stainless steel  
Size: 240\*87mm

**88604**

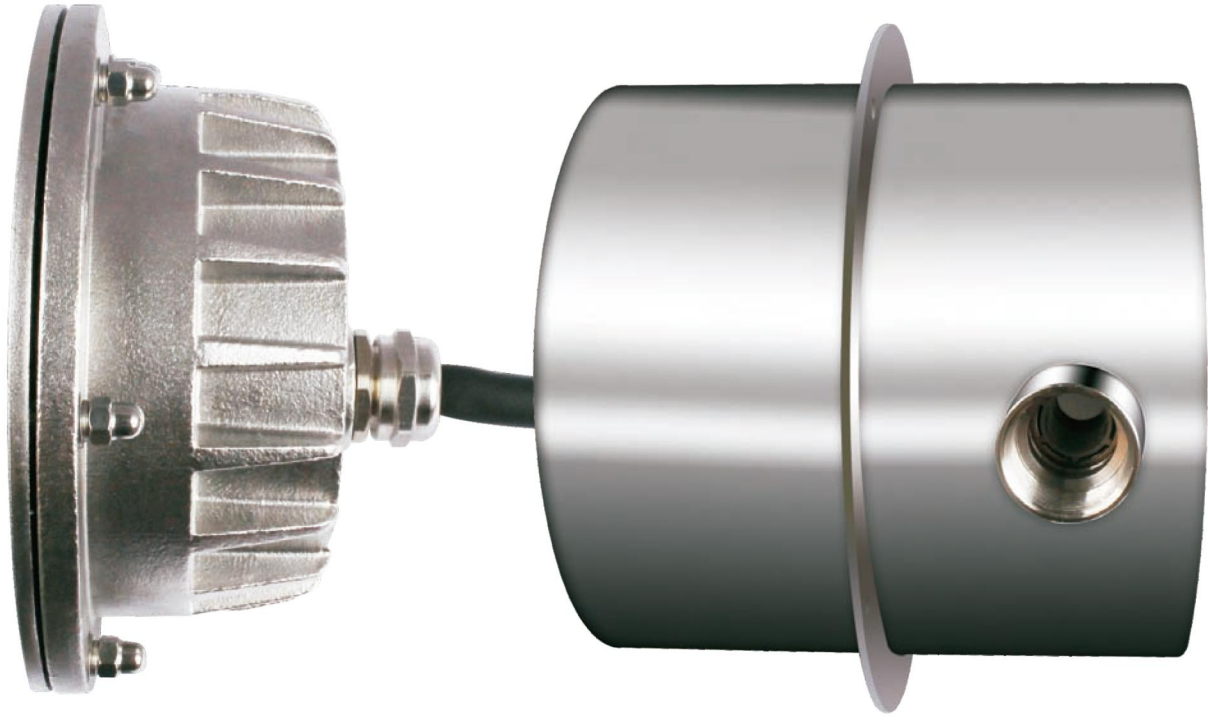
12 way DMX/RDM signal amplifier and power splitter  
Model No.: DSP-12

**88607**

DMX/RDM signal amplifier  
Model No.: DSA-01P  
IP68

**12000010**

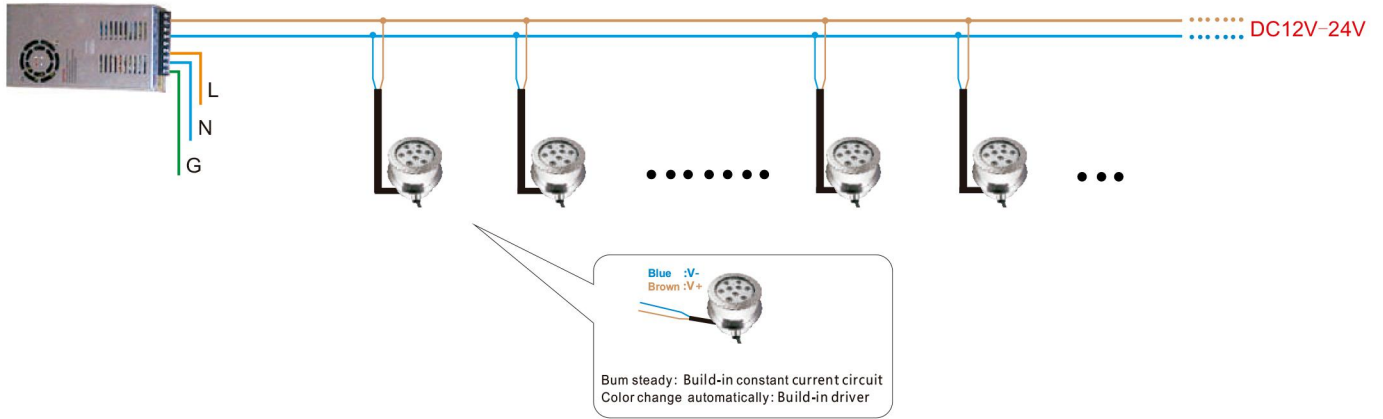
Material: 316stainless steel  
Size: 92\*4.5mm



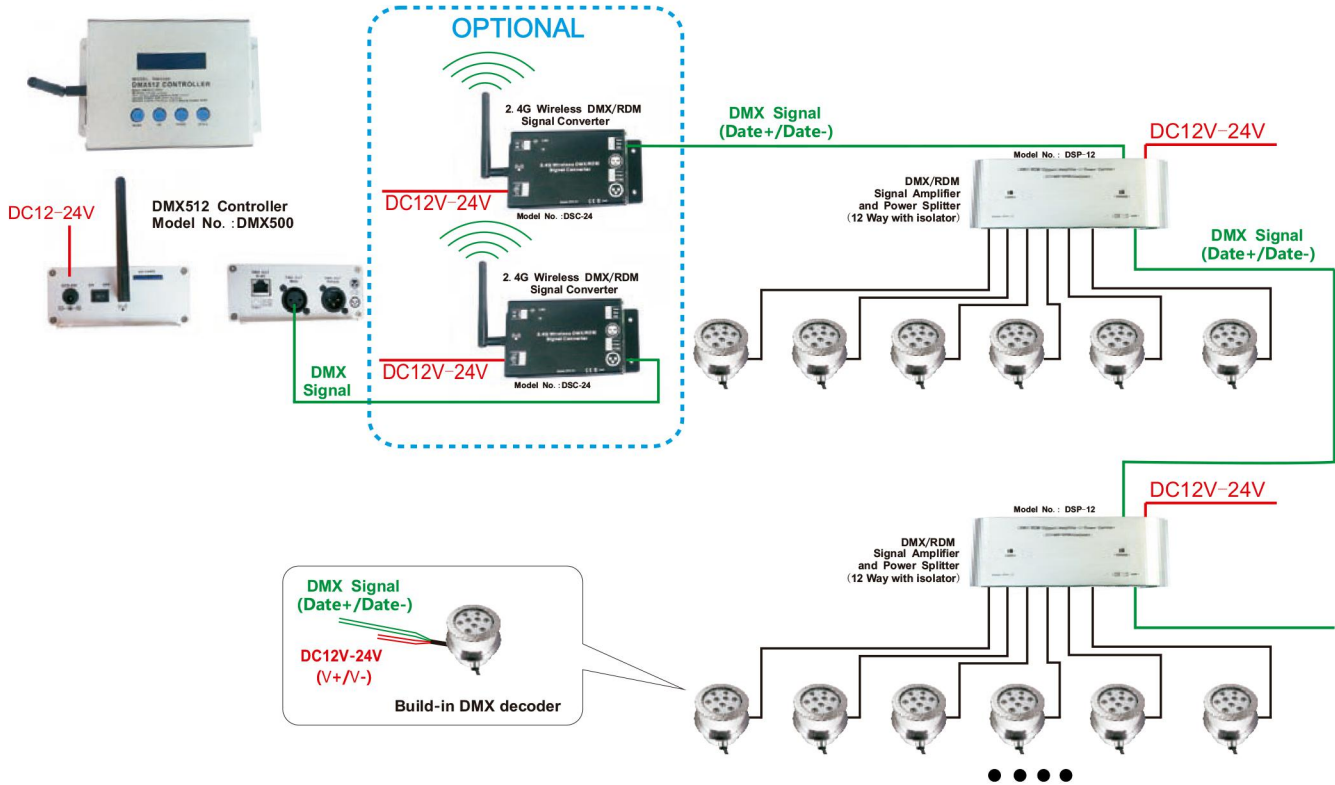


# 27W LED Pool Light

## Single color (1)

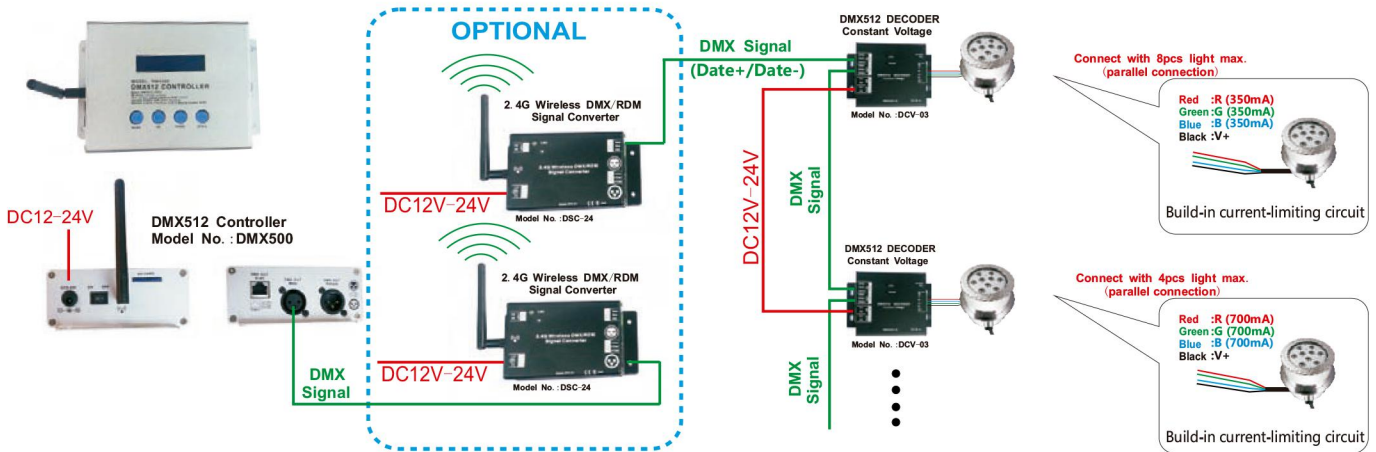


## DMX512 (2)

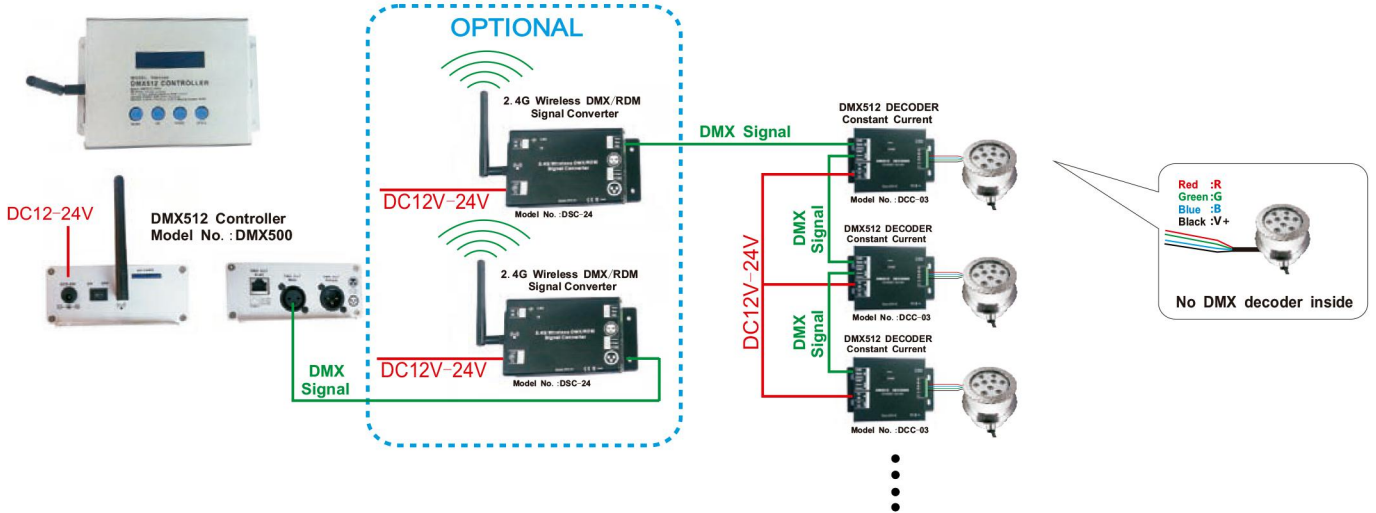


# 27W LED Pool Light

## External (3)



## External (4)



## DMX512 Signal Amplifier (5)

