

## ► FEATURES

- High efficiency light source, Cree 3W high power led.
- High quality Stainless steel 316 lamp fixture / lamp, Beautiful appearance and reasonable waterproof structure.
- Tempered glass as cover, heat-resisting and impact resistance.
- Supplied with 1m 3wires / 5wires VDE rubber cable or UL rubber cable.
- Long life, up to 45,000 hours.
- Waterproof IP68, outdoor use.
- Beam angle 10-90°.

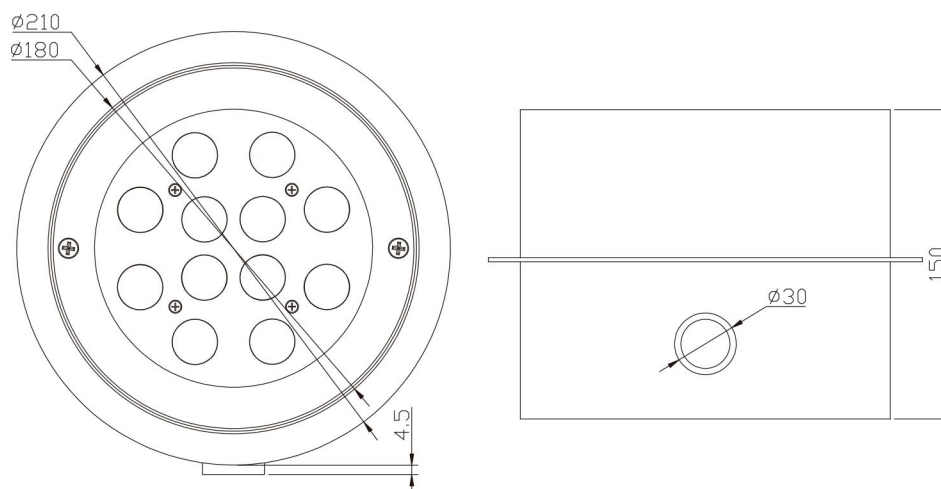


## ► OPTIONS ON REQUEST

- Cable lengths can be supplied according to your requirements
- Beam angle 10° 30° 45° 60° 90° for optional
- 316L or 316Ti is optional
- RDM, DMX512 (3 channel), Auto change color can be optional.

## ► SPECIFICATION

<b>Body size</b>	D154 x H150mm
<b>Output Power</b>	36W
<b>Luminous Flux Output</b>	80-90LM/W
<b>Rendering Index</b>	Ra>70
<b>Lens surface</b>	Mirrored, Beaded, Striped
<b>Light source</b>	CREE
<b>IP Grade</b>	IP68
<b>Housing material</b>	Stainless steel 316
<b>Cable gland</b>	PG13.5, Stainless steel 316
<b>Control Mode</b>	Auto color change / DMX512 controllable



## Order information

Item code	LED Q'ty	Color	Control Mode	Line Way	Working Voltage
88254.123.01	12pcs 3W LED	2700-3000K	/	V+/V-	DC24V
88254.123.02	12pcs 3W LED	4000-4500K	/	V+/V-	DC24V
88254.123.03	12pcs 3W LED	5000-5500K	/	V+/V-	DC24V
88254.123.04	12pcs 3W LED	6000-6500K	/	V+/V-	DC24V
88254.123.05	12pcs 3W LED	Red	/	V+/V-	DC24V
88254.123.06	12pcs 3W LED	Green	/	V+/V-	DC24V
88254.123.07	12pcs 3W LED	Blue	/	V+/V-	DC24V
88254.123.08	12pcs 3W LED	Yellow	/	V+/V-	DC24V
88254.123.09	12pcs 3W LED (4R+4G+4B)	RGB	DMX512 (3 channel)	V+/V-/D+/D-	DC24V
88254.123.10	12pcs 3in1 LED (12R+12G+12B)	RGB	DMX512 (3 channel)	V+/V-/D+/D-	/
88254.123.11	12pcs 3W LED (4R+4G+4B)	RGB	Auto control	V+/V-	AC/DC24V
88254.123.13	12pcs 3W LED (4R+4G+4B)	RGB	External Build-in current-limiting circuit	R/G/B/V+	DC24V

Please contact us freely if you have any special requirements.

## Accessories



### 93000023

T type IP68 quick connector suitable for 6.8-10mm Ø cables max. 3 x 2.5mm<sup>2</sup> or 5 x 2.5mm<sup>2</sup>



### 93000024

IP68 quick connector suitable for 6.8-10mm Ø cables max. 3 x 2.5mm<sup>2</sup>



### 93000025

IP68 quick connector suitable for 8-12mm Ø cables max. 5 x 2.5mm<sup>2</sup>



### IP23 Switch Power Supply

Will be chosed according to the light quantity and cable length.



### IP66 Switch Power Supply

Will be chosed according to the light quantity and cable length.



### 88612

DMX512 CONTROLLER  
Model No.: DMX500



### 88605

2.4G wireless DMX/RDM signal converter  
Model No.: DSC-24



### 88606

DMX/RDM signal amplifier  
Model No.: DSA-01



### 12000011

Material: 316stainless steel  
Size: 240\*87mm



### 88604

12 way DMX/RDM signal amplifier and power splitter  
Model No.: DSP-12



### 88607

DMX/RDM signal amplifier  
Model No.: DSA-01P  
IP68



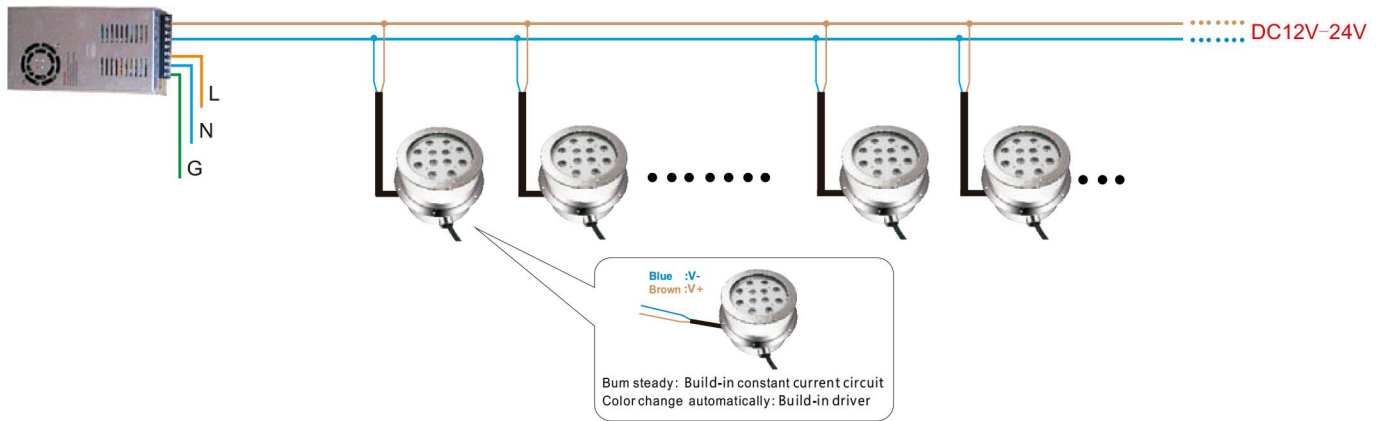
### 12000010

Material: 316stainless steel  
Size: 92\*4.5mm

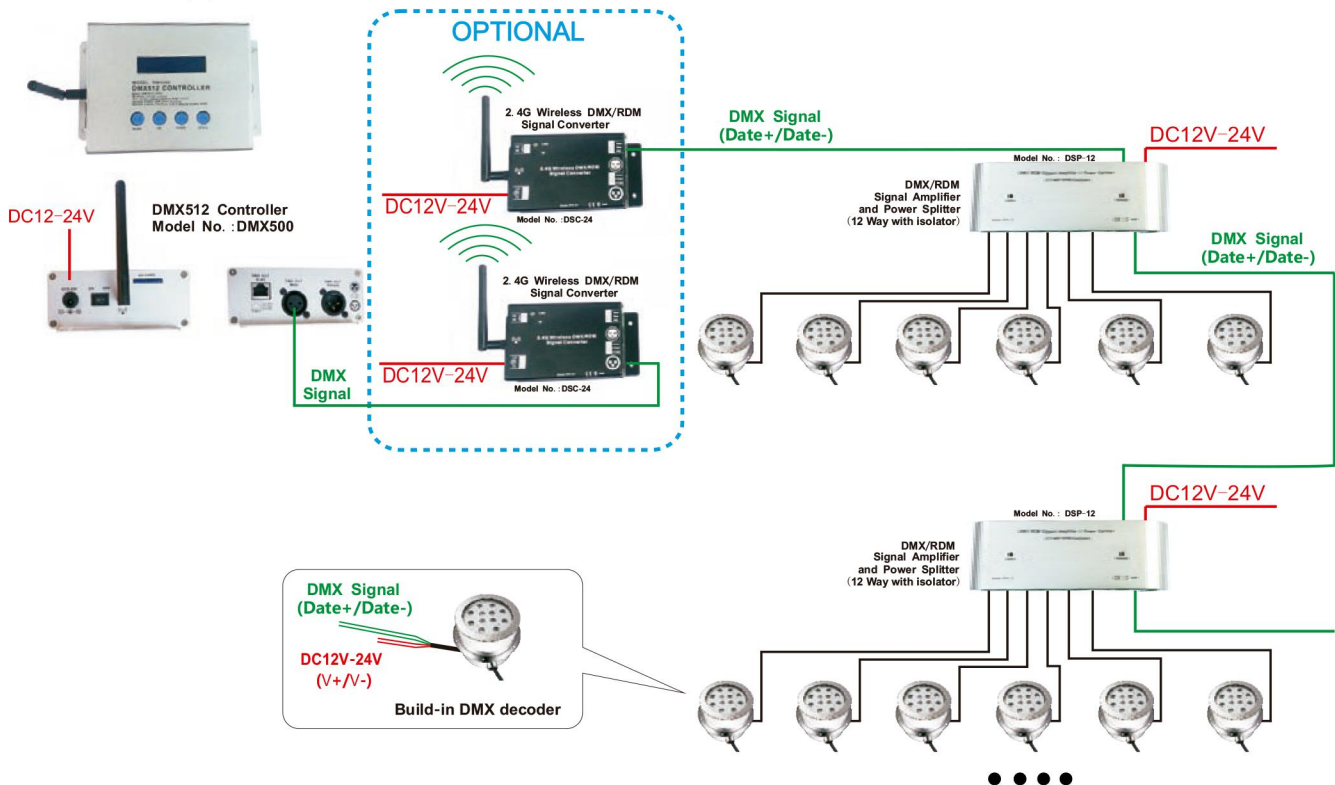


# 36W LED Pool Light

## Single color (1)



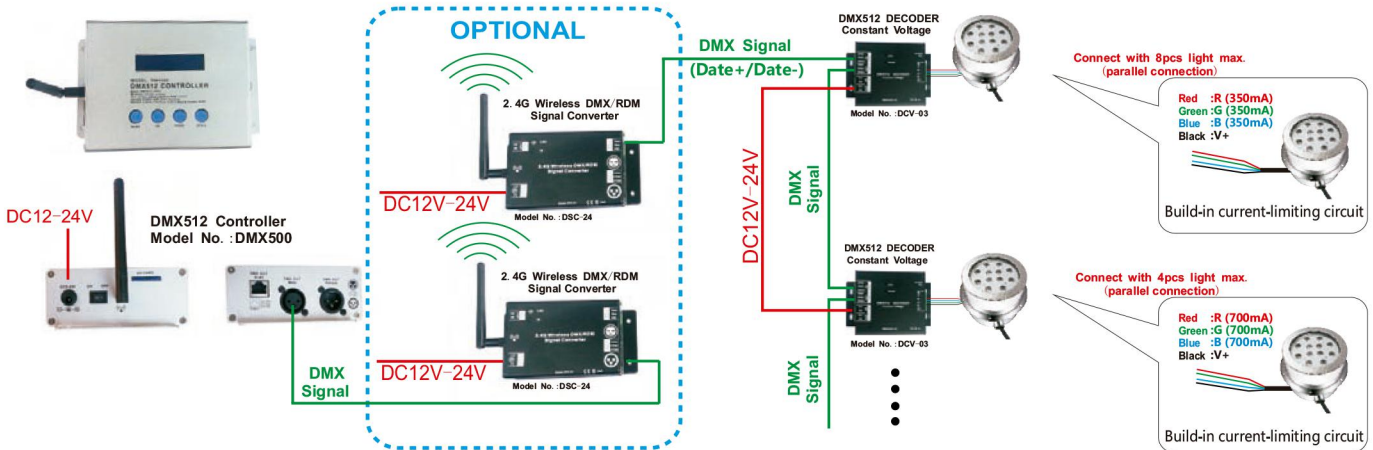
## DMX512 (2)



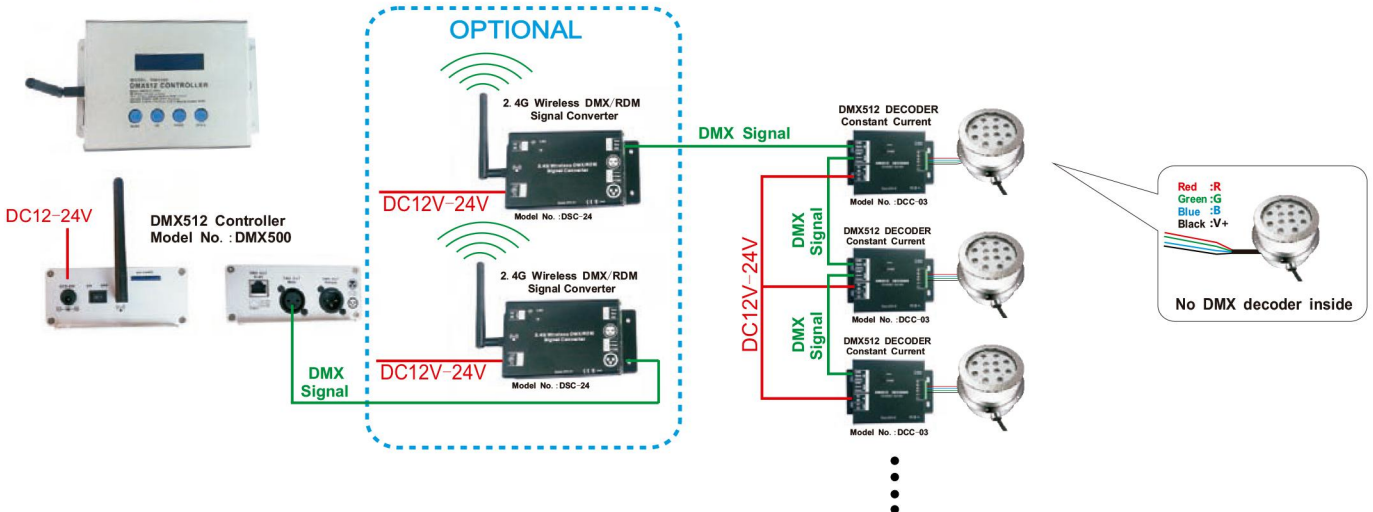
# 36W LED Pool Light

Item Code: 88254  
Model No.: WP-RP36W316X

## External (3)



## External (4)



## DMX512 Signal Amplifier (5)

