

## 54W LED Pool Light

## ► FEATURES

- High efficiency light source, Cree 3W high power led.
- High quality Stainless steel 316 lamp fixture / lamp, Beautiful appearance and reasonable waterproof structure.
- Tempered glass as cover, heat-resisting and impact resistance.
- Supplied with 1m 3wires / 5wires VDE rubber cable or UL rubber cable.
- Long life, up to 45,000 hours.
- Waterproof IP68, outdoor use.
- Beam angle 10-90°.

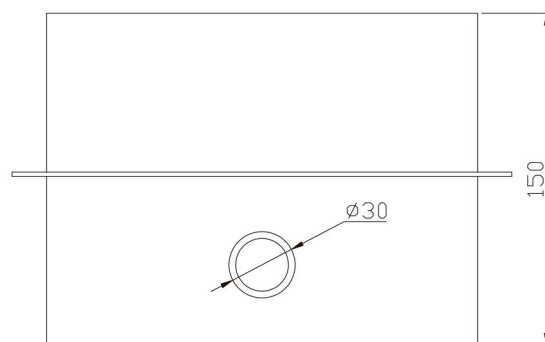
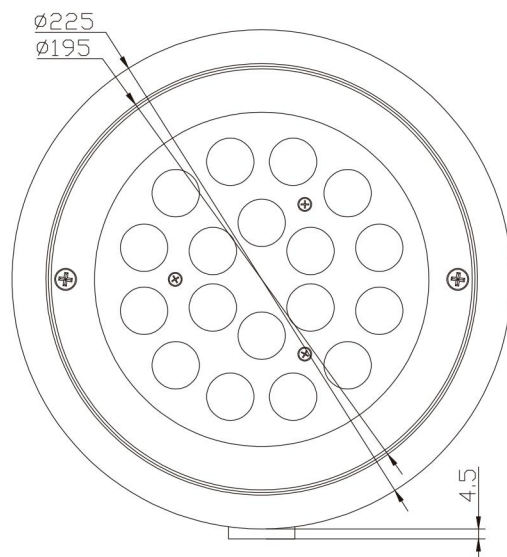


## ► OPTIONS ON REQUEST

- Cable lengths can be supplied according to your requirements
- Beam angle 10° 30° 45° 60° 90° for optional
- 316L or 316Ti is optional
- RDM, DMX512 (3 channel), DMX512 (4 channel), Auto change color can be optional

## ► SPECIFICATION

<b>Body size</b>	D195 x H150mm
<b>Output Power</b>	54W
<b>Luminous Flux Output</b>	80-90LM/W
<b>Rendering Index</b>	Ra>70
<b>Lens surface</b>	Mirrored, Beaded, Striped
<b>Light source</b>	CREE
<b>IP Grade</b>	IP68
<b>Housing material</b>	Stainless steel 316
<b>Cable gland</b>	PG13.5, Stainless steel 316
<b>Control Mode</b>	Auto color change / DMX512 controllable



## 54W LED Pool Light

## Order information

Item code	LED Q 'ty	Color	Control Mode	Line Way	Working Voltage
88255.183.01	18pcs 3W LED	2700-3000K	/	V+/V-	DC24V
88255.183.02	18pcs 3W LED	4000-4500K	/	V+/V-	DC24V
88255.183.03	18pcs 3W LED	5000-5500K	/	V+/V-	DC24V
88255.183.04	18pcs 3W LED	6000-6500K	/	V+/V-	DC24V
88255.183.05	18pcs 3W LED	Red	/	V+/V-	DC24V
88255.183.06	18pcs 3W LED	Green	/	V+/V-	DC24V
88255.183.07	18pcs 3W LED	Blue	/	V+/V-	DC24V
88255.183.08	18pcs 3W LED	Yellow	/	V+/V-	DC24V
88255.183.09	18pcs 3W LED (6R+6G+6B)	RGB	DMX512 (3 channel)	V+/V-/D+/D-	DC24V
88255.183.10	18pcs 3in1 LED (18R+18G+18B)	RGB	DMX512 (3 channel)	V+/V-/D+/D-	/
88255.183.11	18pcs 3W LED (6R+6G+6B)	RGB	Auto control	V+/V-	AC/DC24V
88255.183.13	18pcs 3W LED (6R+6G+6B)	RGB	External Build-in current-limiting circuit	R/G/B/V+	DC24V
88255.183.14	24pcs 3in1 LED (24R+24G+24B)	RGB	DMX512 (3 channel)	V+/V-/D+/D-	/
88255.183.15	24pcs 4in1 LED (24R+24G+24B+24W)	RGB	DMX512 (3 channel)	V+/V-/D+/D-	DC24V

Please contact us freely if you have any special requirements.

## Accessories



93000023

T type IP68 quick connector suitable for 6.8-10mm  $\varnothing$  cables max. 3 x 2.5mm<sup>2</sup> or 5 x 2.5mm<sup>2</sup>



93000024

IP68 quick connector suitable for 6.8-10mm  $\varnothing$  cables max. 3 x 2.5mm<sup>2</sup>



93000025

IP68 quick connector suitable for 8-12mm  $\varnothing$  cables max. 5 x 2.5mm<sup>2</sup>



IP23 Switch Power Supply

Will be chosed according to the light quantity and cable length.



IP66 Switch Power Supply

Will be chosed according to the light quantity and cable length.



88612

DMX512 CONTROLLER  
Model No.: DMX500



88605

2.4G wireless DMX/RDM signal converter  
Model No.: DSC-24



88606

DMX/RDM signal amplifier  
Model No.: DSA-01



12000011

Material: 316stainless steel  
Size: 240\*87mm



88604

12 way DMX/RDM signal amplifier and power splitter  
Model No.: DSP-12



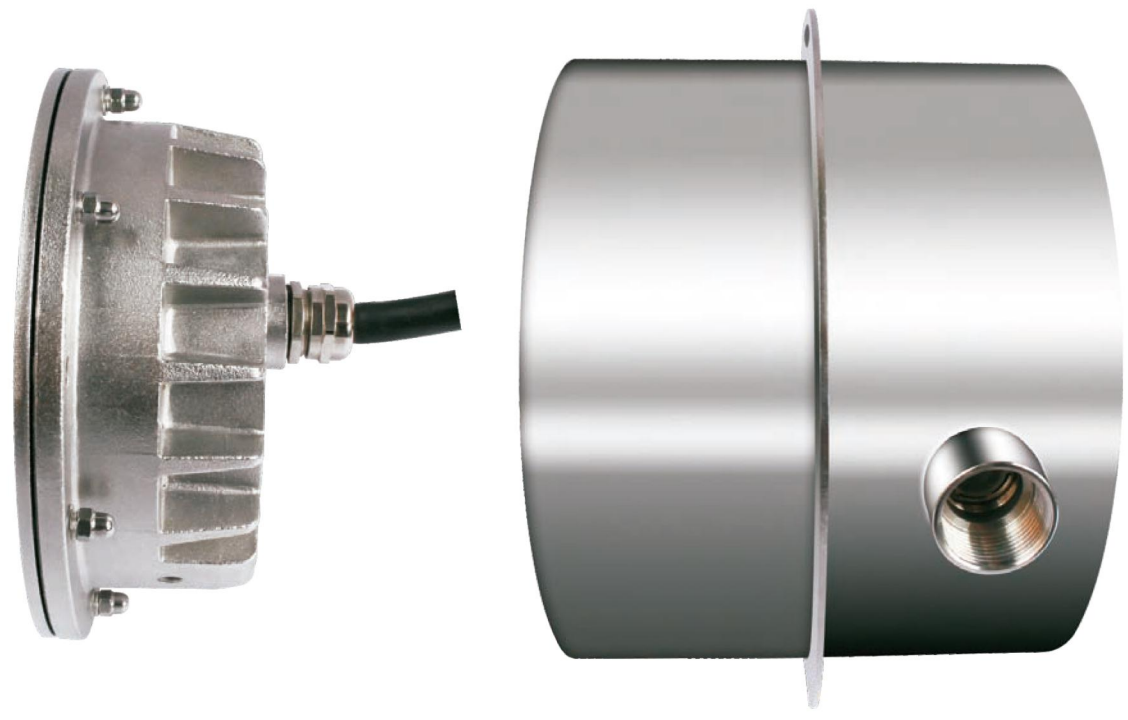
88607

DMX/RDM signal amplifier  
Model No.: DSA-01P  
IP68



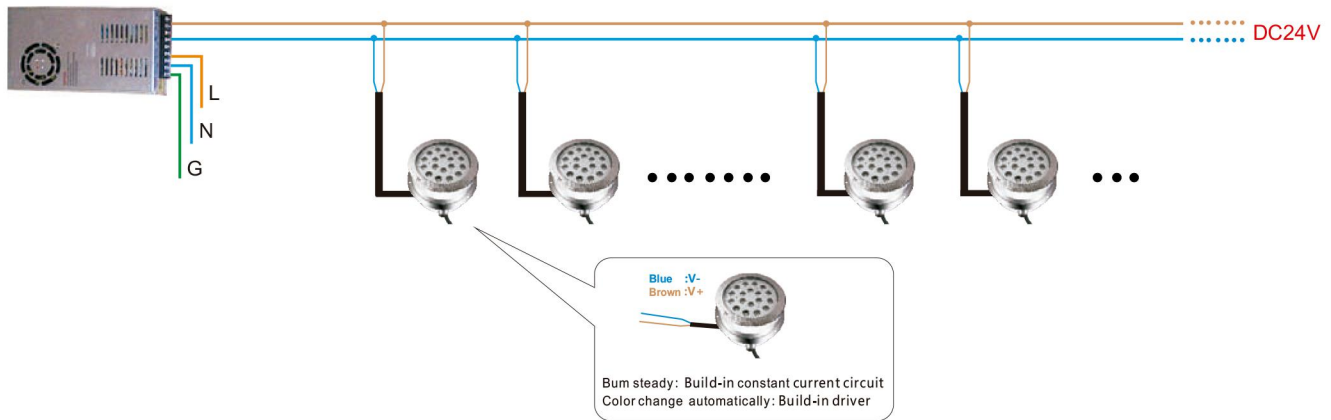
12000010

Material: 316stainless steel  
Size: 92\*4.5mm

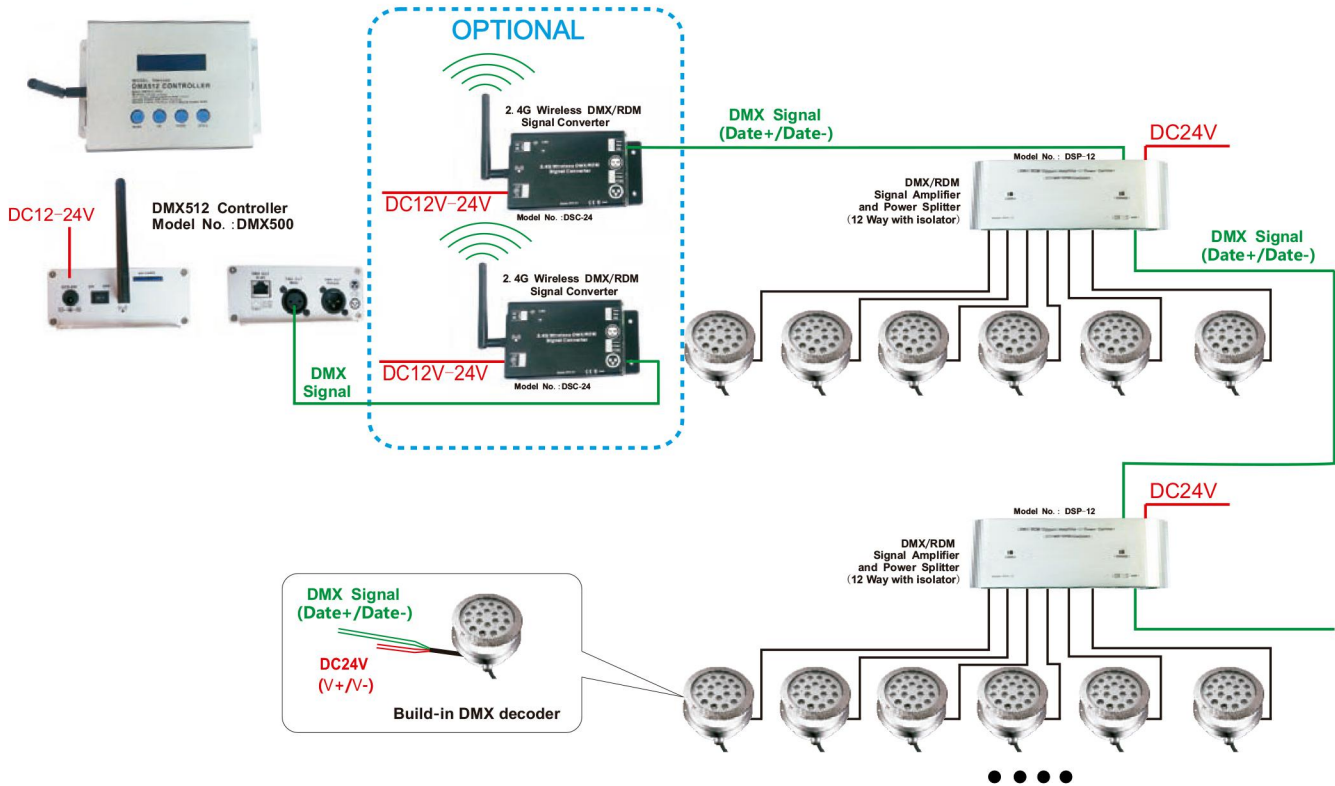


# 54W LED Pool Light

## Single color (1)

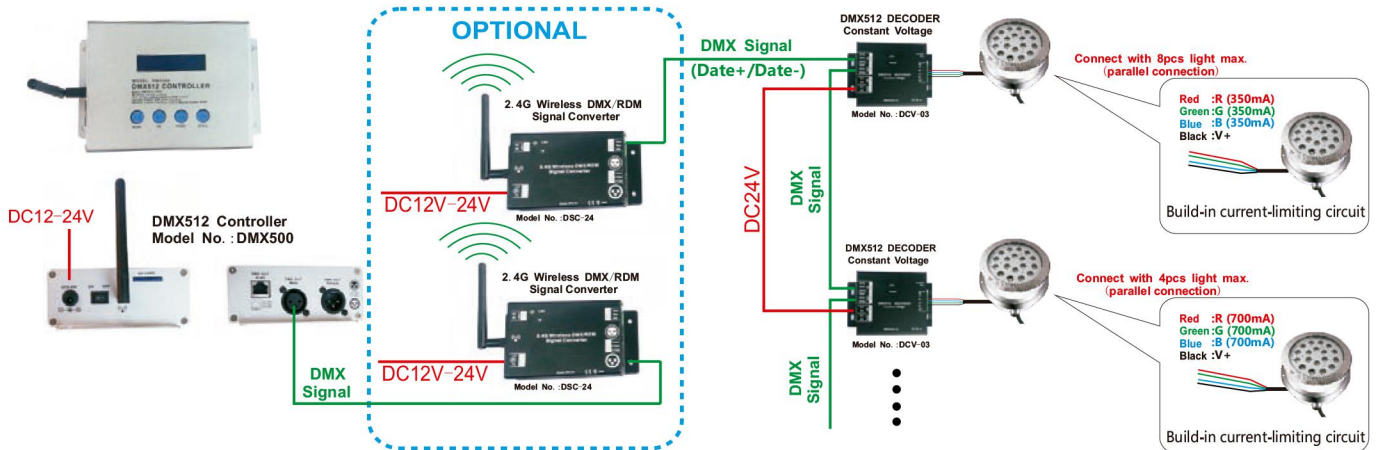


## DMX512 (2)

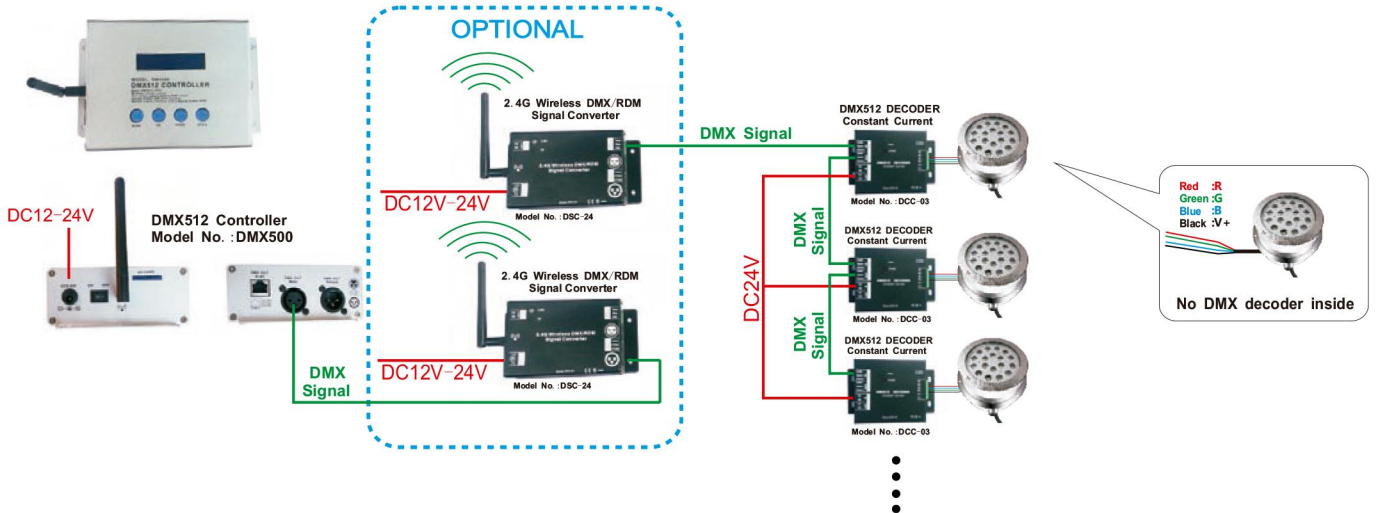


# 54W LED Pool Light

## External (3)



## External (4)



## DMX512 Signal Amplifier (5)

