

12W LED Underground

► FEATURES

- High efficiency light source, Cree 1W high power led.
- High quality 304SS+ Aluminum lamp fixture, Beautiful appearance and reasonable waterproof structure.
- Tempered glass as cover, heat-resisting and impact resistance.
- Supplied with plastic installation housing and 1m rubber cable
- Cable gland PG9, nickel-plated brass.
- Long life, up to 45,000 hours.
- Waterproof IP67, outdoor use.
- Beam angle 10-90°.

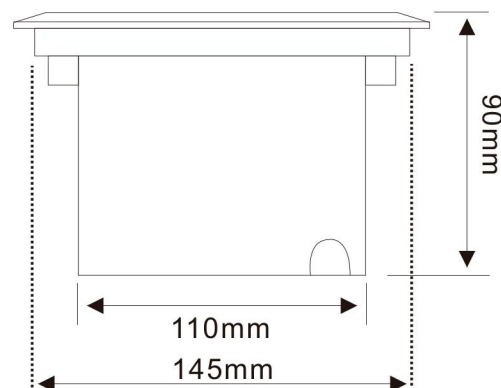
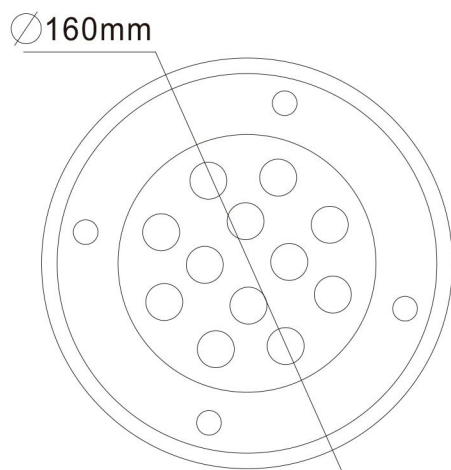
► OPTIONS ON REQUEST

- Cable length can be supplied according to your requirements
- Beam angle 10° 30° 45° 60° 70° for optional
- Working voltage DC24V, AC110-230V is available.
- DMX512 (3 channel), Auto change color can be optional.



► SPECIFICATION

Body size	D160 x H90mm
Output Power	12*1W
Luminous Flux Output	80-90LM/W
Rendering Index	Ra>70
Lens	Transparent
Light source	Cree
IP Grade	IP67
Housing material	Stainless steel 304 + Aluminum body + tempered glass
Control Mode	Auto color change / DMX512 controllable



Order information

Item code	LED Q'ty	Color	Control Mode	Line Way	Working Voltage
88230.121.01	12pcs 1W LED	2700-3000K	/	V+/V- or L/N/G	DC24V AC90-230V
88230.121.02	12pcs 1W LED	4000-4500K	/	V+/V- or L/N/G	DC24V AC90-230V
88230.121.03	12pcs 1W LED	5000-5500K	/	V+/V- or L/N/G	DC24V AC90-230V
88230.121.04	12pcs 1W LED	6000-6500K	/	V+/V- or L/N/G	DC24V AC90-230V
88230.121.05	12pcs 1W LED	Red	/	V+/V- or L/N/G	DC24V AC90-230V
88230.121.06	12pcs 1W LED	Green	/	V+/V- or L/N/G	DC24V AC90-230V
88230.121.07	12pcs 1W LED	Blue	/	V+/V- or L/N/G	DC24V AC90-230V
88230.121.08	12pcs 1W LED	Yellow	/	V+/V- or L/N/G	DC24V AC90-230V
88230.121.09	12pcs 1W LED (4R+4G+4B)	RGB	DMX512 (3 channel)	V+/V-/D+/D-	DC24V
88230.121.10	12pcs 1W LED (4R+4G+4B)	RGB	Auto control	V+/V-	AC24V
88230.121.12	12pcs 1W LED (4R+4G+4B)	RGB	External Build-in current-limiting circuit	R/G/B/V+	DC24V

Please contact us freely if you have any special requirements.

Accessories



93000023

T type IP68 quick connector suitable for 6.8-10mm Ø cables max. 3 x 2.5mm² or 5 x 2.5mm²



93000024

IP68 quick connector suitable for 6.8-10mm Ø cables max. 3 x 2.5mm²



93000025

IP68 quick connector suitable for 8-12mm Ø cables max. 5 x 2.5mm²



IP23 Switch Power Supply

Will be choosed according to the light quantity and cable length.



IP66 Switch Power Supply

Will be choosed according to the light quantity and cable length.



88612

DMX512 CONTROLLER
Model No. : DMX500



88605

2.4G wireless DMX/RDM signal converter
Model No.: DSC-24



88606

DMX/RDM signal amplifier
Model No.: DSA-01



88607

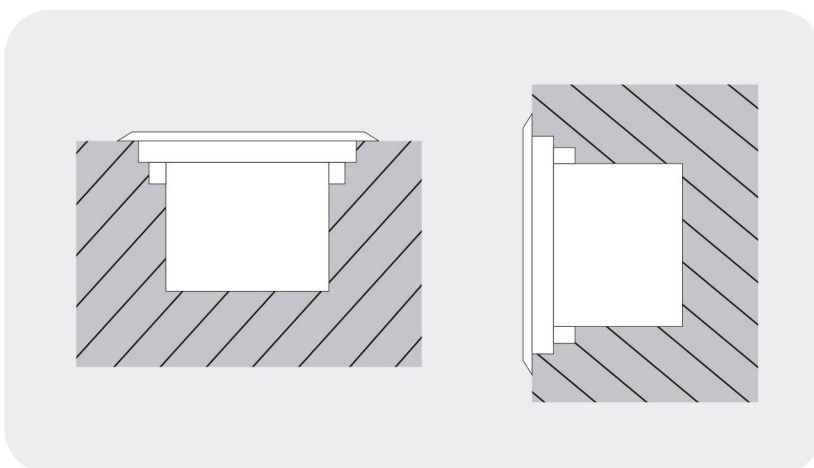
IP68 DMX/RDM signal amplifier
Model No.: DSA-01P



88604

12 way DMX/RDM signal amplifier and power splitter
Model No.: DSP-12

12W LED Underground

**Waterproof circle**

Precision silicone pad, solid epoxy resin sealing, multiple waterproof design, to ensure having a good waterproof effect in any cases.

**Tempered glass**

Thickened tempered glass, designed and manufactured based on optical principles, nearly 100% light transmittance, explosion-proof, impact resistance, abrasion resistance, and led chip protection.

**The radiator**

Adopting the integration of aluminum radiator and thicken radiator, sufficient material to use, beautiful appearance, super performance for conductivity, perfect solution for the heat-dispersing of lamp body, keeping a very long lifespan for the light

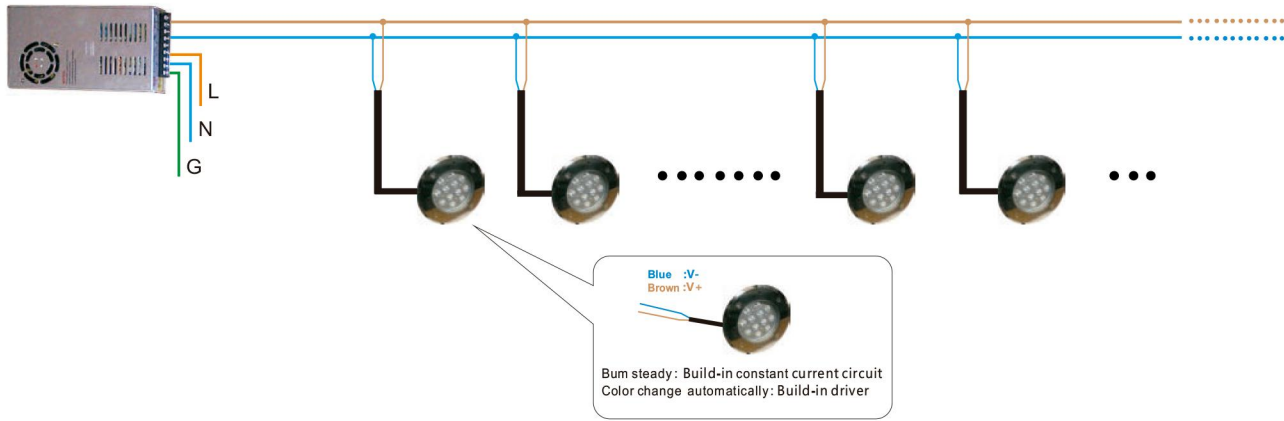
**Tempered glass**

Adopting high quality rolling border waterproof circle to design the wire entrance (PG11 nickel-plate brass), pour glue for inner head, achieving the multiple waterproof effect, protecting the light from being oxidized, being immune of outer water entering, it belongs to the most advanced PG head of Ip68.

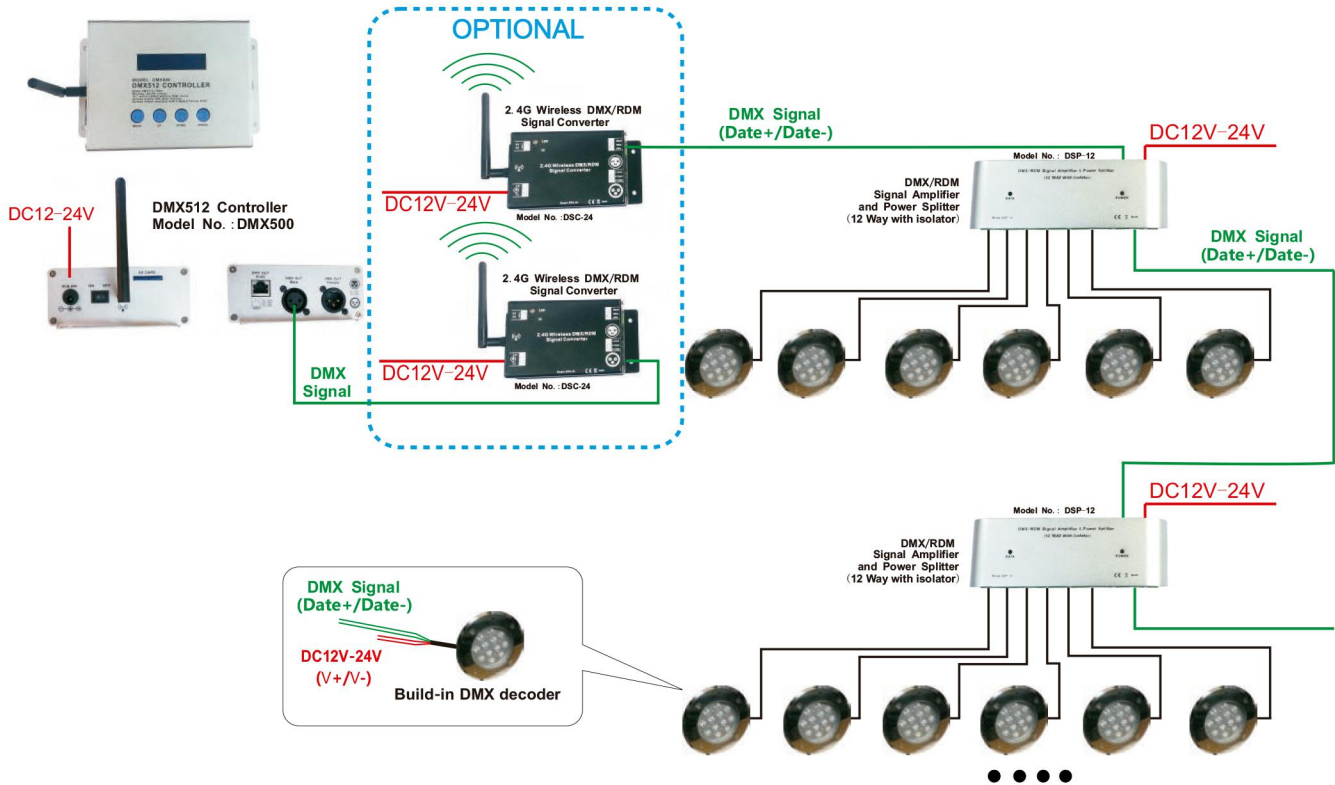
12W LED Underground

Item Code: 88230
Model No.: WP-UG12W-PM

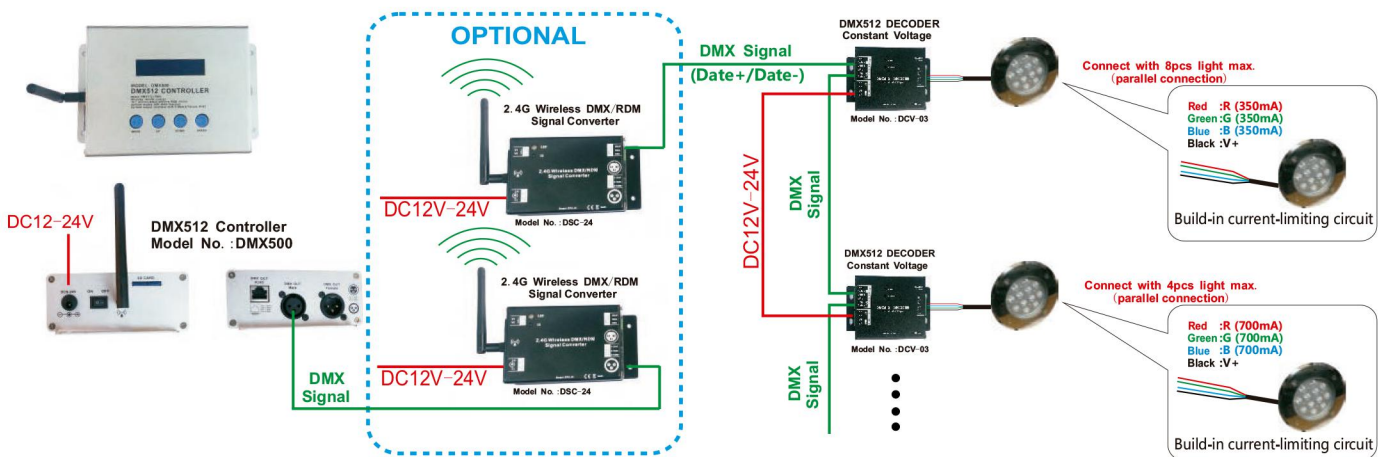
Single color (1)



DMX512 (2)



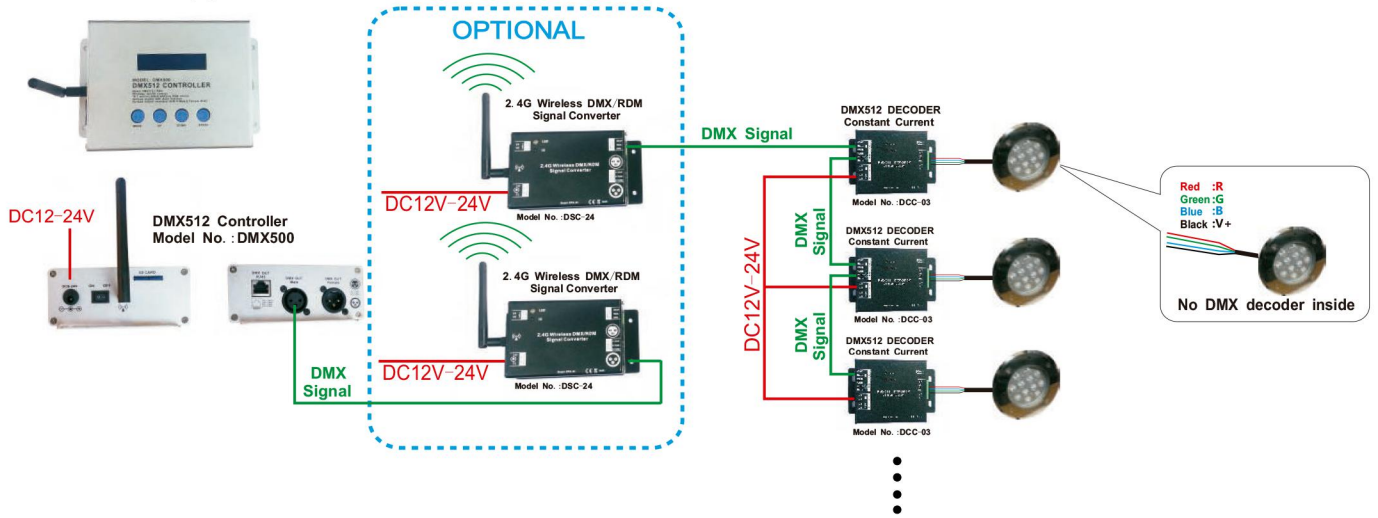
External (3)



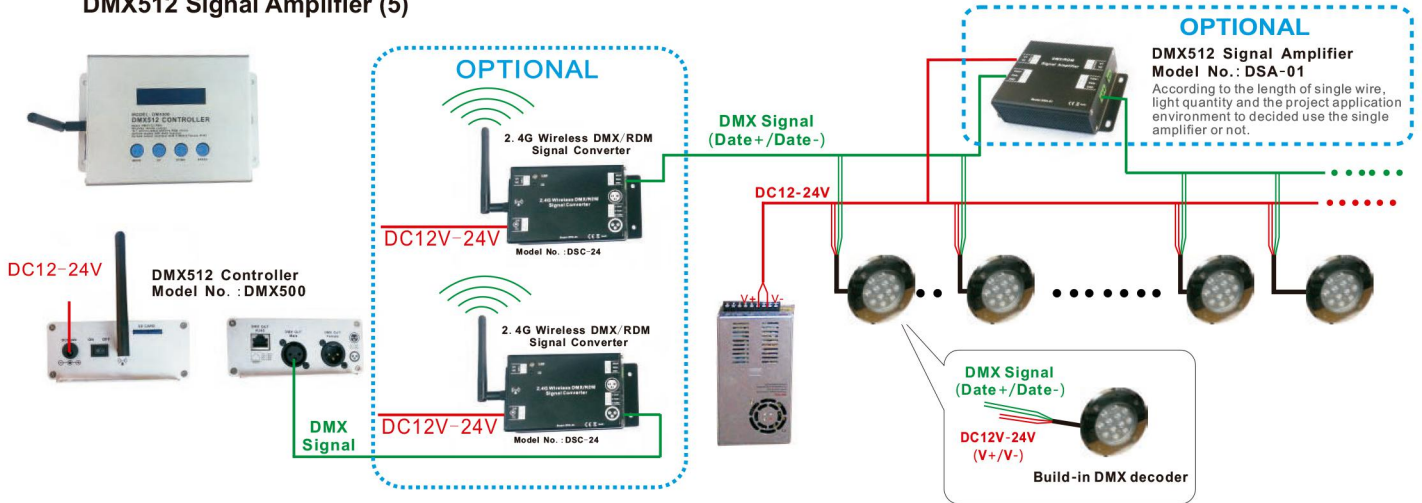
12W LED Underground

Item Code: 88230
Model No.: WP-UG12W-PM

External (4)



DMX512 Signal Amplifier (5)



Wiring Diagram (6)

