

► FEATURES

- High efficiency light source, Cree & Edison 3W high power led.
- High quality Stainless steel 316 lamp fixture/lamp, Beautiful appearance and reasonable waterproof structure.
- Tempered glass as cover, heat-resisting and impact resistance.
- Supplied with 1m 3wires/5wires VDE rubber cable or UL rubber cable.
- Long life, up to 45,000 hours.
- Waterproof IP68, outdoor use.
- Beam angle 10-90°

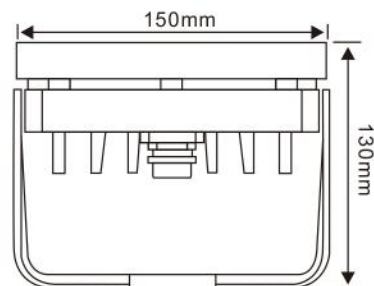
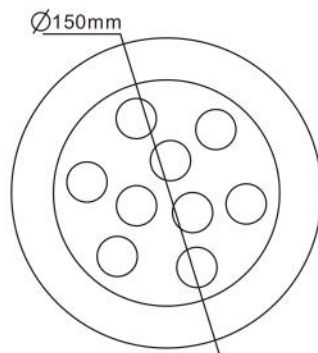


► OPTIONS ON REQUEST

- Cable lengths can be supplied according to your requirements
- Beam angle 10° 30° 45° 60° 90° for optional
- Working voltage AC12V, DC12V, DC24V is available
- 316L or 316Ti is optional
- RDM, DMX512 (3 channel), DMX512 (4 channel), Auto change color can be optional.

► SPECIFICATION

Body size	D150 x H170mm (max.)
Output Power	27W
Luminous Flux Output	80-90LM/W
Rendering Index	Ra>70
Lens surface	Mirrored, Beaded, Striped
Light source	EDISON or CREE
IP Grade	IP68
Housing material	Stainless steel 316
Cable gland	PG13.5, Stainless steel 316
Control Mode	Auto color change / DMX512 controllable



Order information

Item code	LED Q'ty	Color	Control Mode	Line Way	Working Voltage
88102.093.01	9pcs 3W LED	2700-3000K	/	V+/V-	AC12V DC12V DC24V
88102.093.02	9pcs 3W LED	4000-4500K	/	V+/V-	AC12V DC12V DC24V
88102.093.03	9pcs 3W LED	5000-5500K	/	V+/V-	AC12V DC12V DC24V
88102.093.04	9pcs 3W LED	6000-6500K	/	V+/V-	AC12V DC12V DC24V
88102.093.05	9pcs 3W LED	Red	/	V+/V-	AC12V DC12V DC24V
88102.093.06	9pcs 3W LED	Green	/	V+/V-	AC12V DC12V DC24V
88102.093.07	9pcs 3W LED	Blue	/	V+/V-	AC12V DC12V DC24V
88102.093.08	9pcs 3W LED	Yellow	/	V+/V-	AC12V DC12V DC24V
88102.093.09	9pcs 3W LED (3R+3G+3B)	RGB	DMX512 (3 channel)	V+/V-/D+/D-	AC12V DC12V DC24V
88102.093.11	9pcs 3W LED (3R+3G+3B)	RGB	Auto control	V+/V-	AC12V AC24V
88102.093.12	9pcs 3W LED (3R+3G+3B)	RGB	External Build-in current-limiting circuit	R/G/B/V+	DC12V DC24V

Please contact us freely if you have any special requirements.

Accessories



IP23 Switch Power Supply

Will be chosed according to the light quantity and cable length.



IP66 Switch Power Supply

Will be chosed according to the light quantity and cable length.



88612

DMX512 CONTROLLER
Model No.: DMX500



88605

2.4G wireless DMX/RDM
signal converter
Model No.: DSC-24



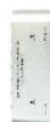
88606

DMX/RDM signal amplifier
Model No.: DSA-01



12000011

Material: 316stainless steel
Size: 240*87mm



88604

12 way DMX/RDM
signal amplifier and power splitter
Model No.: DSP-12



88607

DMX/RDM signal amplifier
Model No.: DSA-01P
IP68



12000010

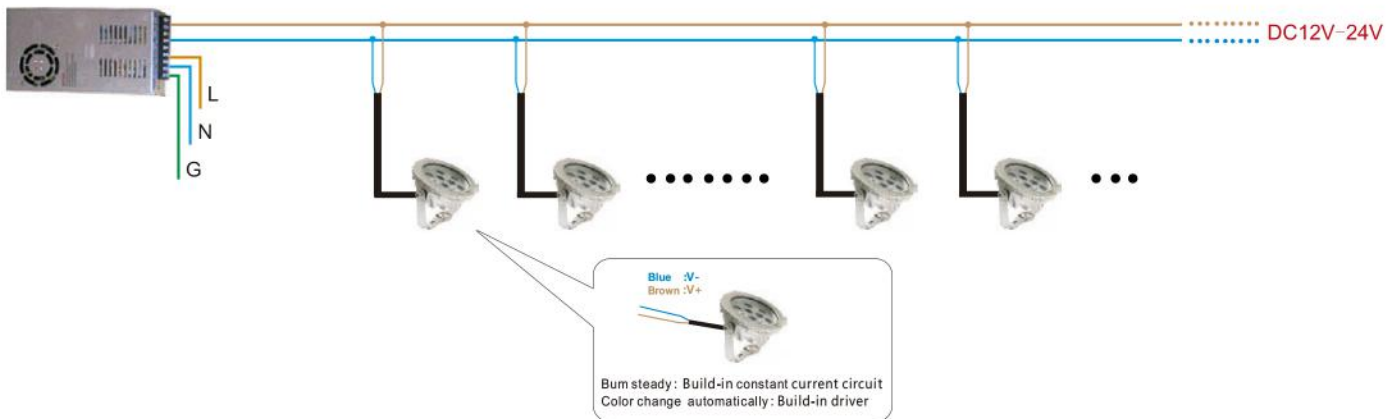
Material: 316stainless steel
Size: 92*4.5mm



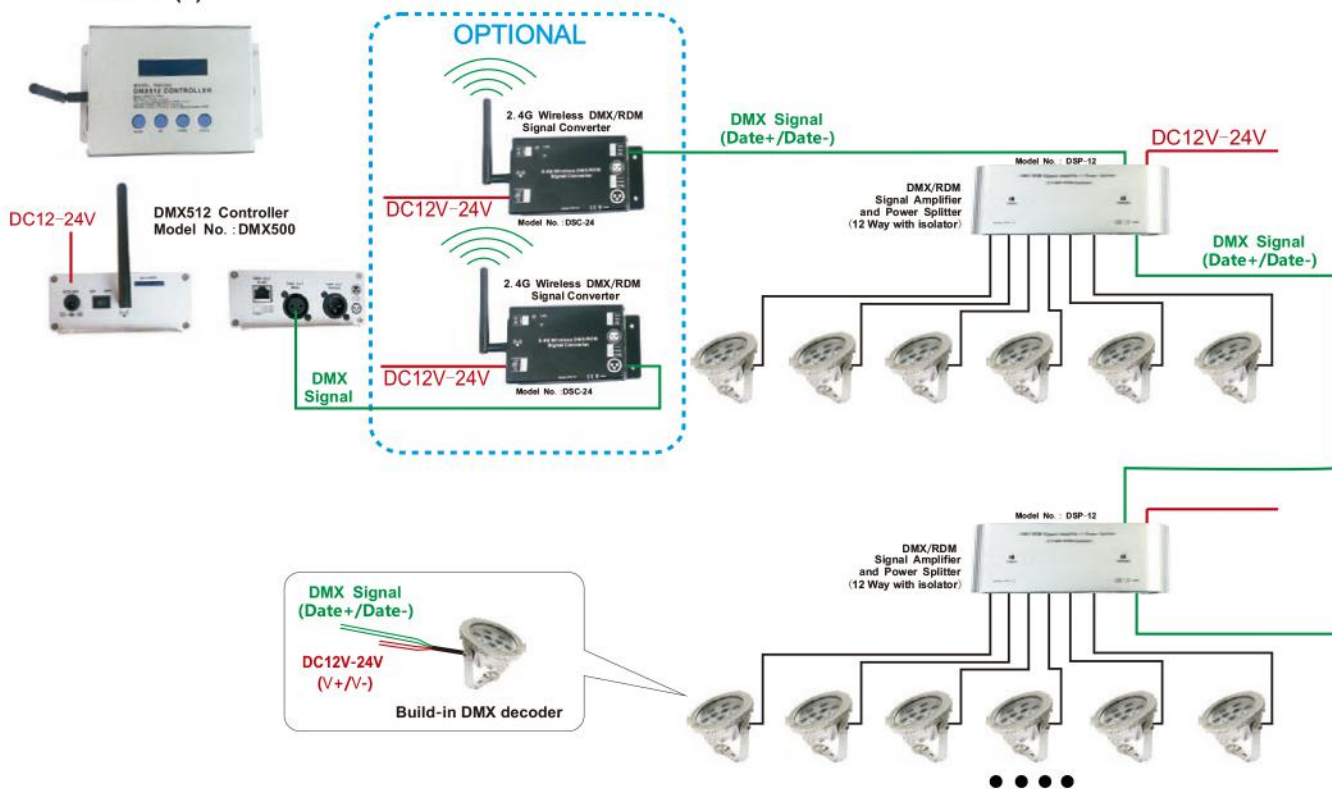
27W LED Underwater

Item Code: 88102
Model No.: RS-UW27W316X

Single color (1)

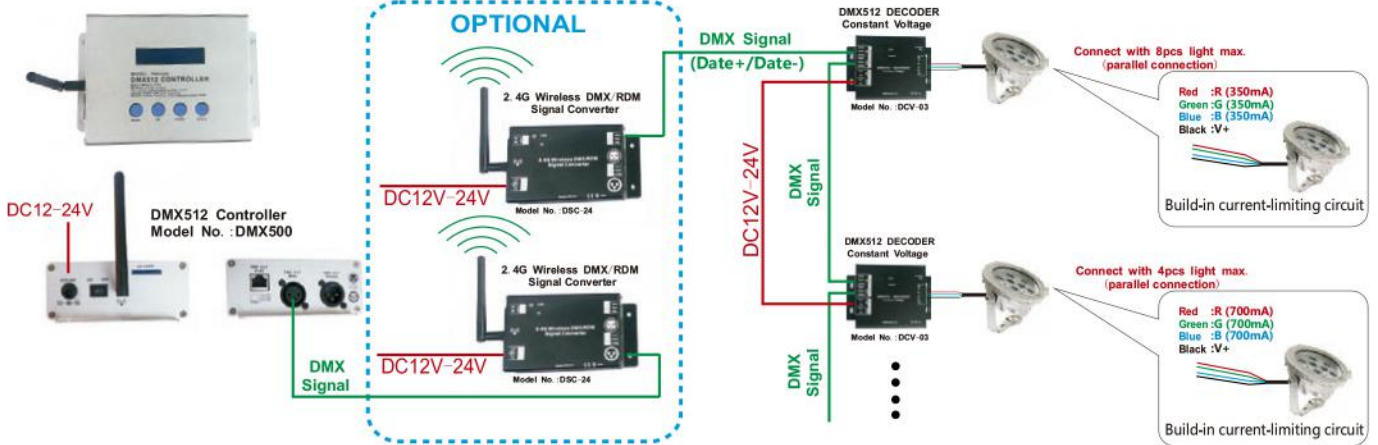


DMX512 (2)

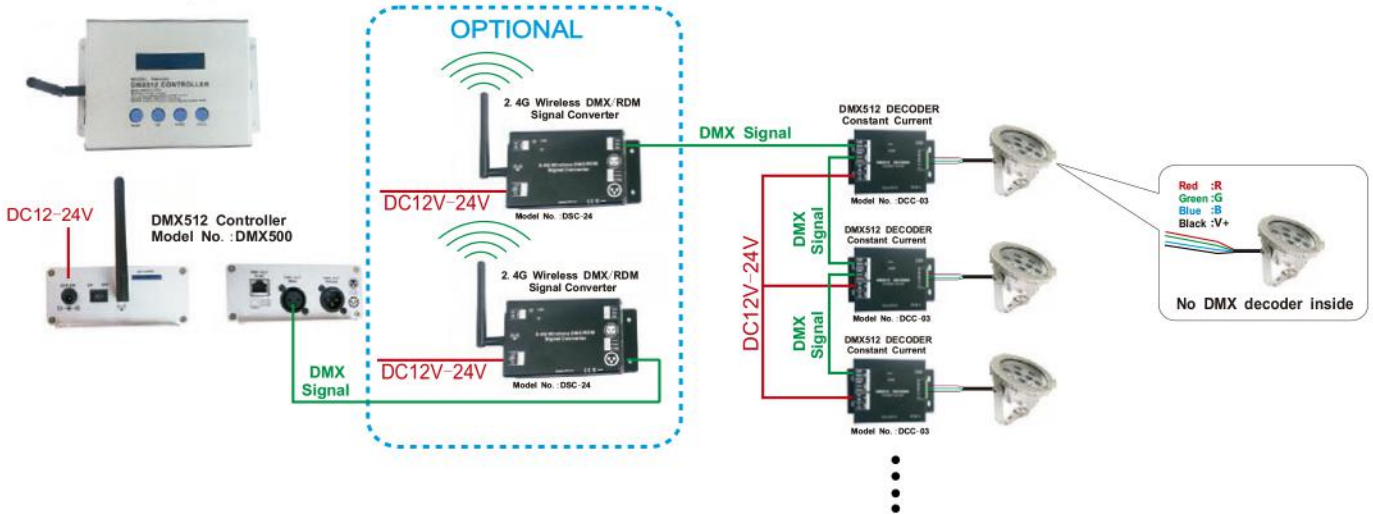


27W LED Underwater

External (3)



External (4)



DMX512 Signal Amplifier (5)

