

► FEATURES

- High efficiency light source, Cree & Edison 3W high power led.
- High quality Stainless steel 316 lamp fixture/lamp, Beautiful appearance and reasonable waterproof structure.
- Tempered glass as cover, heat-resisting and impact resistance.
- Supplied with 1.5m 3wires/5wires VDE rubber cable or UL rubber cable.
- Long life, up to 45,000 hours.
- Waterproof IP68, outdoor use.
- Beam angle 10-90°.

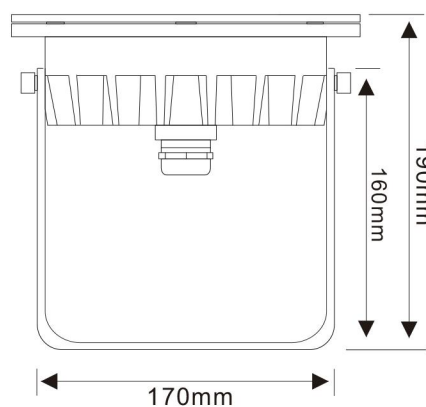
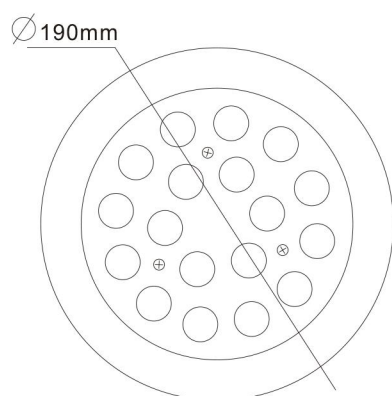


► OPTIONS ON REQUEST

- Cable lengths can be supplied according to your requirements
- Beam angle 10° 30° 45° 60° 90° for optional
- 316L or 316Ti is optional
- RDM, DMX512 (3 channel), DMX512 (4 channel), Auto change color can be optional

► SPECIFICATION

Body size	D190 x H250mm (max.)
Output Power	54W
Luminous Flux Output	80-90LM/W
Rendering Index	Ra>70
Lens surface	Mirrored, Beaded, Striped
Light source	EDISON or CREE
IP Grade	IP68
Housing material	Stainless steel 316
Cable gland	PG13.5, Stainless steel 316
Control Mode	Auto color change / DMX512 controllable



Order information

Item code	LED Q'ty	Color	Control Mode	Line Way	Working Voltage
88108.183.01	18pcs 3W LED	2700-3000K	/	V+/V-	DC24V
88108.183.02	18pcs 3W LED	4000-4500K	/	V+/V-	DC24V
88108.183.03	18pcs 3W LED	5000-5500K	/	V+/V-	DC24V
88108.183.04	18pcs 3W LED	6000-6500K	/	V+/V-	DC24V
88108.183.05	18pcs 3W LED	Red	/	V+/V-	DC24V
88108.183.06	18pcs 3W LED	Green	/	V+/V-	DC24V
88108.183.07	18pcs 3W LED	Blue	/	V+/V-	DC24V
88108.183.08	18pcs 3W LED	Yellow	/	V+/V-	DC24V
88108.183.09	18pcs 3W LED (6R+6G+6B)	RGB	DMX512 (3 channel)	V+/V-/D+/D-	DC24V
88108.183.10	18pcs 3in1 LED (18R+18G+18B)	RGB	DMX512 (3 channel)	V+/V-/D+/D-	DC24V
88108.183.11	18pcs 3W LED (6R+6G+6B)	RGB	Auto control	V+/V-	AC24V
88108.183.13	18pcs 3W LED (6R+6G+6B)	RGB	External Build-in current-limiting circuit	R/G/B/V+	DC24V

Please contact us freely if you have any special requirements.

Accessories



93000023

T type IP68 quick connector suitable for 6.8-10mm Ø cables max. 3 x 2.5mm² or 5 x 2.5mm²



93000024

IP68 quick connector suitable for 6.8-10mm Ø cables max. 3 x 2.5mm²



93000025

IP68 quick connector suitable for 8-12mm Ø cables max. 5 x 2.5mm²



IP23 Switch Power Supply

Will be chosed according to the light quantity and cable length.



IP66 Switch Power Supply

Will be chosed according to the light quantity and cable length.



88612

DMX512 CONTROLLER
Model No.:DMX500



88605

2.4G wireless DMX/RDM signal converter
Model No.:DSC-24



88606

DMX/RDM signal amplifier
Model No.:DSA-01



12000011

Material: 316stainless steel
Size: 240*87mm



88604

12 way DMX/RDM signal amplifier and power splitter
Model No.:DSP-12



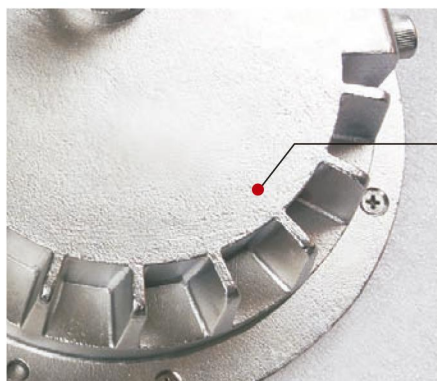
88607

DMX/RDM signal amplifier
Model No.:DSA-01P
IP68



12000010

Material: 316stainless steel
Size: 92*4.5mm



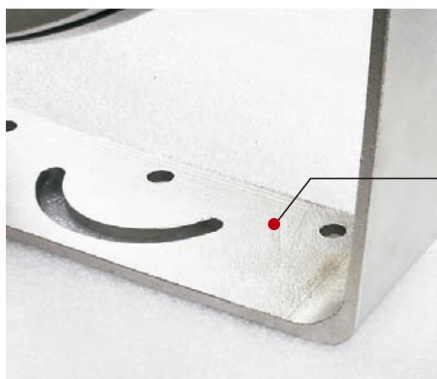
The radiator

Adopting 316 stainless steel and thicken radiator, sufficient material to use, beautiful appearance, super performance for conductivity, perfect solution for the heat-dispersing of lamp body, keeping a very long lifespan for the light.



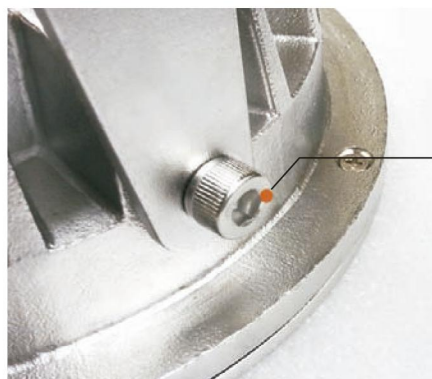
Opticallens

High quality 316 stainless steel helmet, superior level of tempered glass, resist compression and crack, Super light transmitting ratio with advanced optical lens.



Stents

High quality 316 stainless steel with adding thicken bracket, 100% sufficient material used, super power of hardness to protect the light from damaging, guaranteeing the light body to keep balance forever.



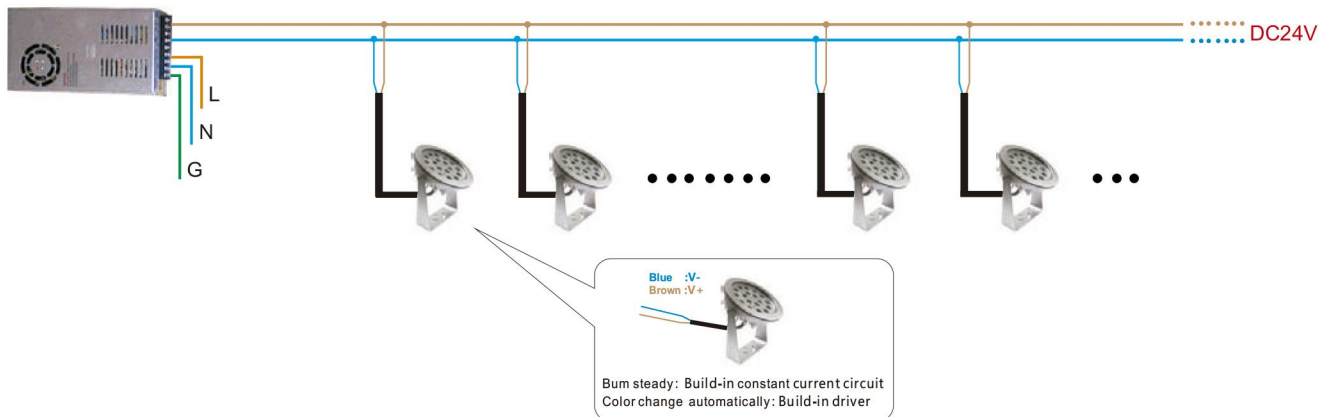
Screw

Adopting superior quality screw of 316 stainless steel, super strong for hardness, protecting the light from damaging, being able to resist rust permanently, to support and fix the lamp body powerfully.

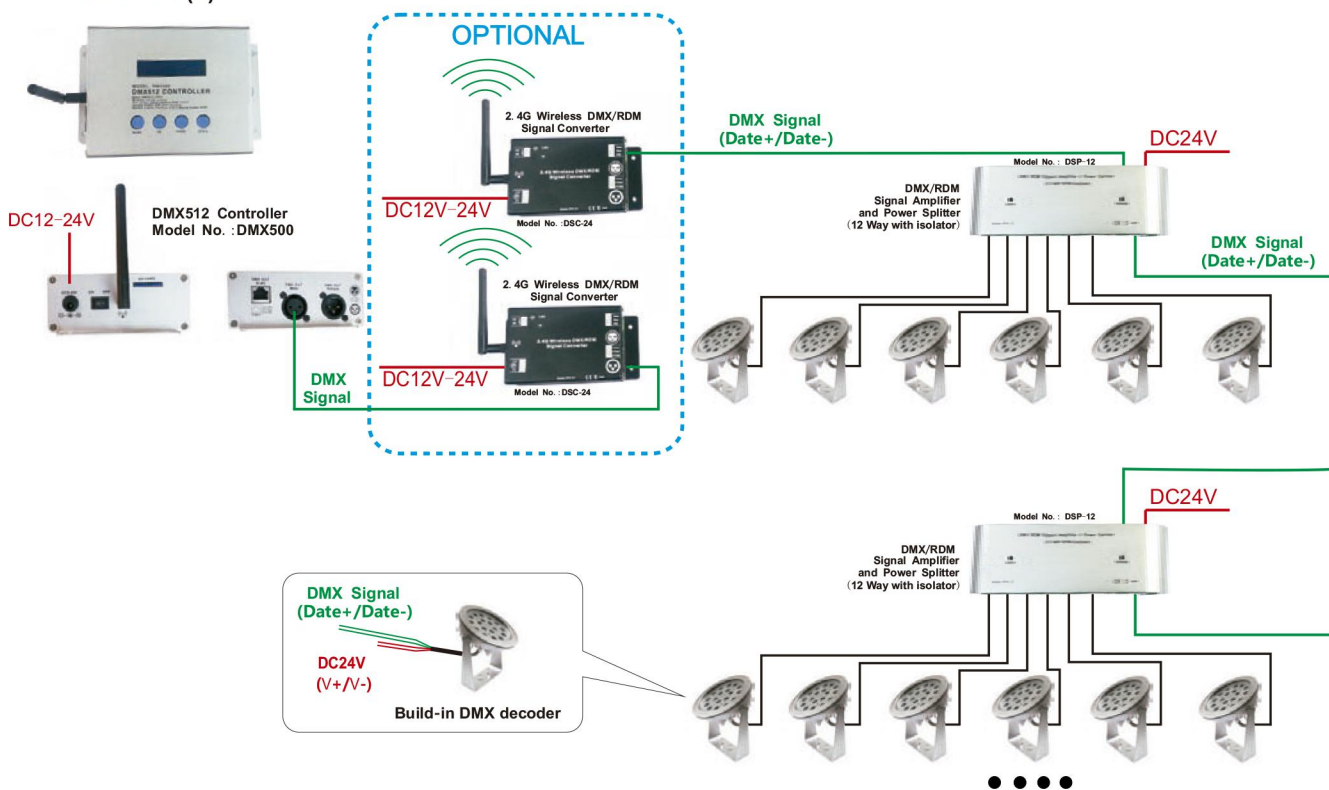
54W LED Underwater

Item Code: 88108
Model No.: RS-UW54W316X

Single color (1)

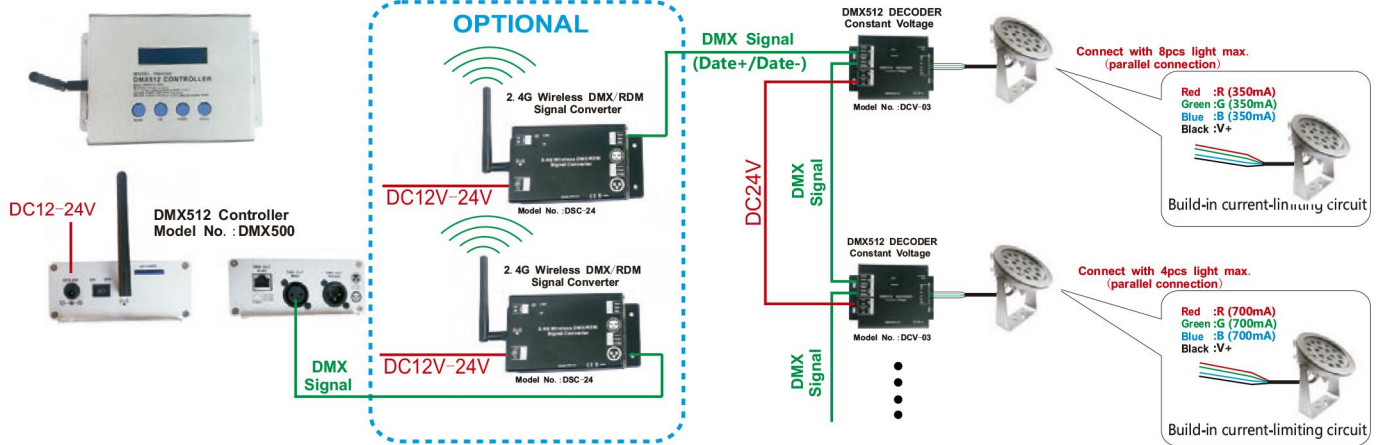


DMX512 (2)

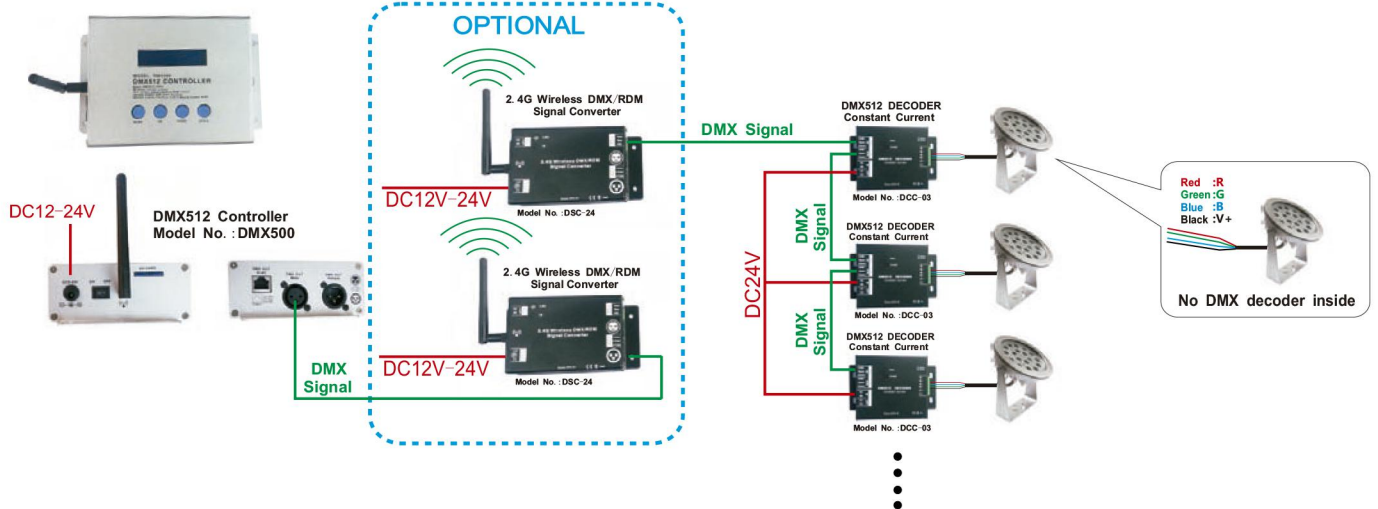


54W LED Underwater

External (3)



External (4)



DMX512 Signal Amplifier (5)

