

► FEATURES

- High efficiency light source, Cree & Edison 3W high power led.
- High quality stainless steel 316 lamp fixture/lamp, Beautiful appearance and reasonable waterproof structure.
- Tempered glass as cover, heat-resisting and impact resistance.
- Supplied with 1.5m **UL** rubber cable.
- Cable gland PG13.5, stainless steel 316.
- Long life, up to 45,000 hours.
- Waterproof IP68.
- Beam angle 10-90°.

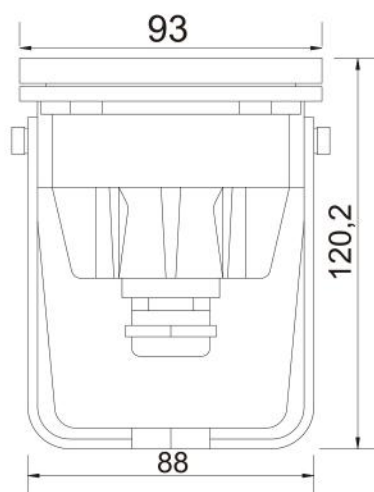
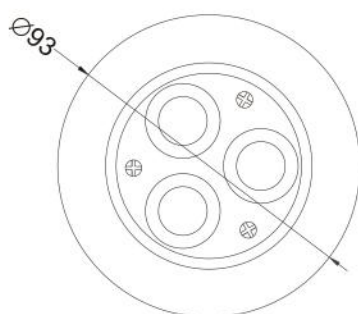
► OPTIONS ON REQUEST

- Cable lengths can be supplied according to your requirements
- Beam angle 10° 30° 45° 60° 90° for optional
- Working voltage AC12V, DC12V, DC24V, is available.
- Cree or Edison chip as you demands.
- 316L or 316Ti is optional



► SPECIFICATION

Body size	D93 x H145mm (max.)
Output Power	9W
Luminous Flux Output	80-90LM/W
Rendering Index	Ra>70
Lens	Transparent
Light source	3pcs 3W Cree & Edison LED
IP Grade	IP68
Housing material	Stainless steel 316



Order information

Item code	LED Q'ty	Color	Control Mode	Line Way	Working Voltage
88101.033.01	3pcs 3W LED	2700-3000K	/	V+/V-	AC12V DC12V DC24V
88101.033.02	3pcs 3W LED	4000-4500K	/	V+/V-	AC12V DC12V DC24V
88101.033.03	3pcs 3W LED	5000-5500K	/	V+/V-	AC12V DC12V DC24V
88101.033.04	3pcs 3W LED	6000-6500K	/	V+/V-	AC12V DC12V DC24V
88101.033.05	3pcs 3W LED	Red	/	V+/V-	AC12V DC12V DC24V
88101.033.06	3pcs 3W LED	Green	/	V+/V-	AC12V DC12V DC24V
88101.033.07	3pcs 3W LED	Blue	/	V+/V-	AC12V DC12V DC24V
88101.033.08	3pcs 3W LED	Yellow	/	V+/V-	AC12V DC12V DC24V

Please contact us freely if you have any special requirements.

Accessories



93000023
T type IP68 quick connector
suitable for 8-12mm Ø cables



93000024
IP68 quick connector
suitable for 8-12mm Ø cables



93000025
IP68 quick connector
suitable for 8-12mm Ø cables



IP23 Switch Power Supply
Will be chosed according to the
light quantity and cable length.



IP66 Switch Power Supply
Will be chosed according to the
light quantity and cable length.



88612
DMX512 CONTROLLER
Model No.: DMX500



88605
2.4G wireless DMX/RDM
signal converter
Model No.: DSC-24



88606
DMX/RDM signal amplifier
Model No.: DSA-01



12000011
Material: 316stainless steel
Size: 240*87mm



88604
12 way DMX/RDM
signal amplifier and power splitter
Model No.: DSP-12



88607
DMX/RDM signal amplifier
Model No.: DSA-01P
IP68



12000010
Material: 316stainless steel
Size: 92*4.5mm



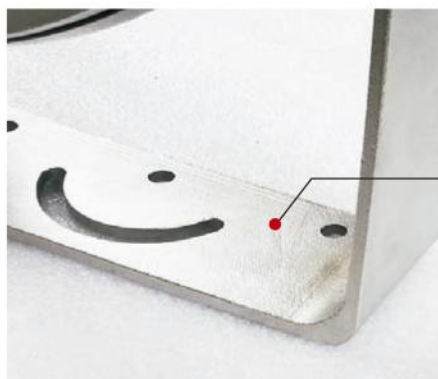
The radiator

Adopting 316 stainless steel and thicken radiator, sufficient material to use, beautiful appearance, super performance for conductivity, perfect solution for the heat-dispersing of lamp body, keeping a very long lifespan for the light.



Opticallens

High quality 316 stainless steel helmet, superior level of tempered glass, resist compression and crack, Super light transmitting ratio with advanced optical lens.



Stents

High quality 316 stainless steel with adding thicken bracket, 100% sufficient material used, super power of hardness to protect the light from damaging, guaranteeing the light body to keep balance forever.



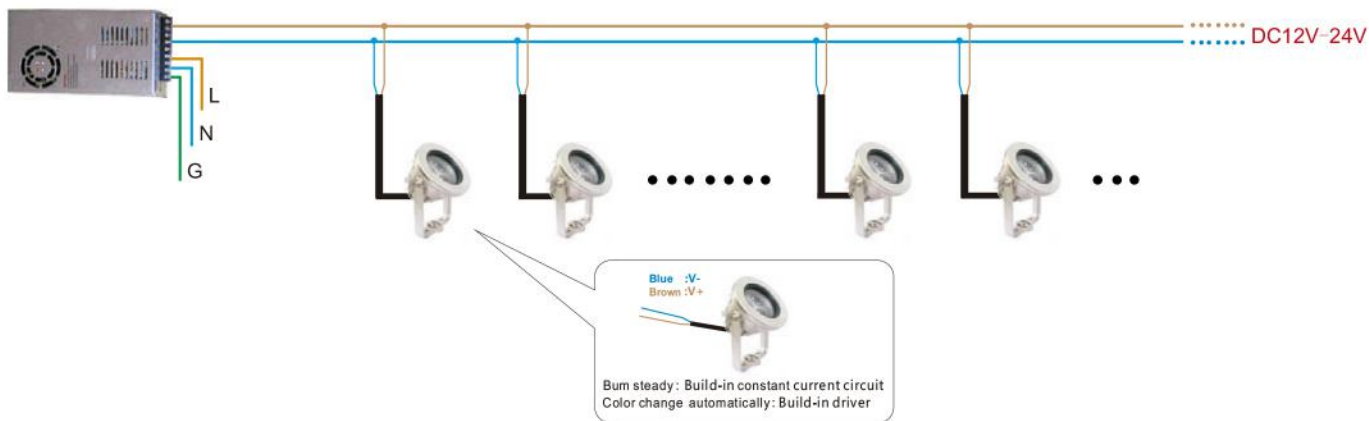
Screw

Adopting superior quality screw of 316 stainless steel, super strong for hardness, protecting the light from damaging, being able to resist rust permanently, to support and fix the lamp body powerfully.

9W LED Underwater

Item Code: 88101
Model No.: RS-UW9W316X

Single color (1)



External (2)

