

► FEATURES

- High efficiency light source, Cree & Edison 3W high power led.
- High quality Stainless steel 316 lamp fixture/lamp, Beautiful appearance and reasonable waterproof structure.
- Tempered glass as cover, heat-resisting and impact resistance.
- Supplied with 1m 3wires/5wires VDE rubber cable or UL rubber cable.
- Long life, up to 45,000 hours.
- Waterproof IP68, outdoor use.
- Beam angle 10-90°.

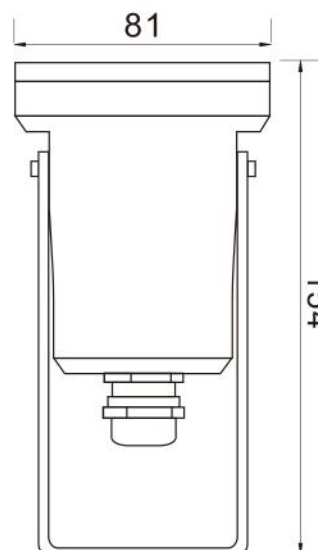
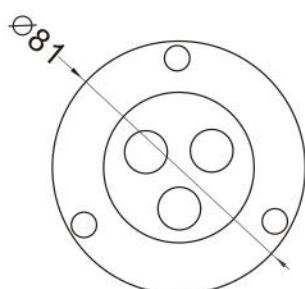


► OPTIONS ON REQUEST

- Cable lengths can be supplied according to your requirements
- Beam angle 25° 40° for optional
- Working voltage AC12V, DC12V, DC24V, is available.
- Cree or Edison chip as you demands.
- 316L or 316Ti is optional
- RDM, DMX512 (3 channel), DMX512 (4 channel), Auto change color can be optional.

► SPECIFICATION

Body size	D81 x H154mm (max.)
Output Power	9W
Luminous Flux Output	80-90LM/W
Rendering Index	Ra>70
Lens	Mirrored, Beaded
Light source	CREE & EDISON
IP Grade	IP68
Housing material	Stainless steel 316
Control Mode	Auto color change / DMX512 controllable



Order information

Item code	LED Q'ty	Color	Control Mode	Line Way	Working Voltage
88131.033.01	3pcs 3W LED	2700-3000K	/	V+/V-	AC12V DC12V DC24V
88131.033.02	3pcs 3W LED	4000-4500K	/	V+/V-	AC12V DC12V DC24V
88131.033.03	3pcs 3W LED	5000-5500K	/	V+/V-	AC12V DC12V DC24V
88131.033.04	3pcs 3W LED	6000-6500K	/	V+/V-	AC12V DC12V DC24V
88131.033.05	3pcs 3W LED	Red	/	V+/V-	AC12V DC12V DC24V
88131.033.06	3pcs 3W LED	Green	/	V+/V-	AC12V DC12V DC24V
88131.033.07	3pcs 3W LED	Blue	/	V+/V-	AC12V DC12V DC24V
88131.033.08	3pcs 3W LED	Yellow	/	V+/V-	AC12V DC12V DC24V
88131.033.09	3pcs 3W LED (1R+1G+1B)	RGB	DMX512 (3 channel)	V+V-/D+D-	AC12V DC12V
88131.033.10	3pcs 3in1 LED (3R+3G+3B)	RGB	DMX512 (3 channel)	V+V-/D+D-	AC12V DC12V
88131.033.11	3pcs 3in1 LED (3R+3G+3B)	RGB	Auto control	V+/V-	AC12V
88131.033.12	3pcs 3in1 LED (3R+3G+3B)	RGB	External Build-in current-limiting circuit	R/G/B/V+	DC12V DC24V

Please contact us freely if you have any special requirements.

Accessories



93000023

T type IP68 quick connector suitable for 6.8-10mm Ø cables max. 3 x 2.5mm² or 5 x 2.5mm²



93000024

IP68 quick connector suitable for 6.8-10mm Ø cables max. 3 x 2.5mm²



93000025

IP68 quick connector suitable for 8-12mm Ø cables max. 5 x 2.5mm²



IP23 Switch Power Supply

Will be chosed according to the light quantity and cable length.



IP66 Switch Power Supply

Will be chosed according to the light quantity and cable length.



88612

DMX512 CONTROLLER Model No.: DMX500



88605

2.4G wireless DMX/RDM signal converter Model No.: DSC-24



88606

DMX/RDM signal amplifier Model No.: DSA-01



12000011

Material: 316stainless steel Size: 240*87mm



88604

12 way DMX/RDM signal amplifier and power splitter Model No.: DSP-12



88607

DMX/RDM signal amplifier Model No.: DSA-01P IP68



12000010

Material: 316stainless steel Size: 92*4.5mm

Item Code: 88131
Model No.: RS-UW9W316X-A

9W LED Underwater

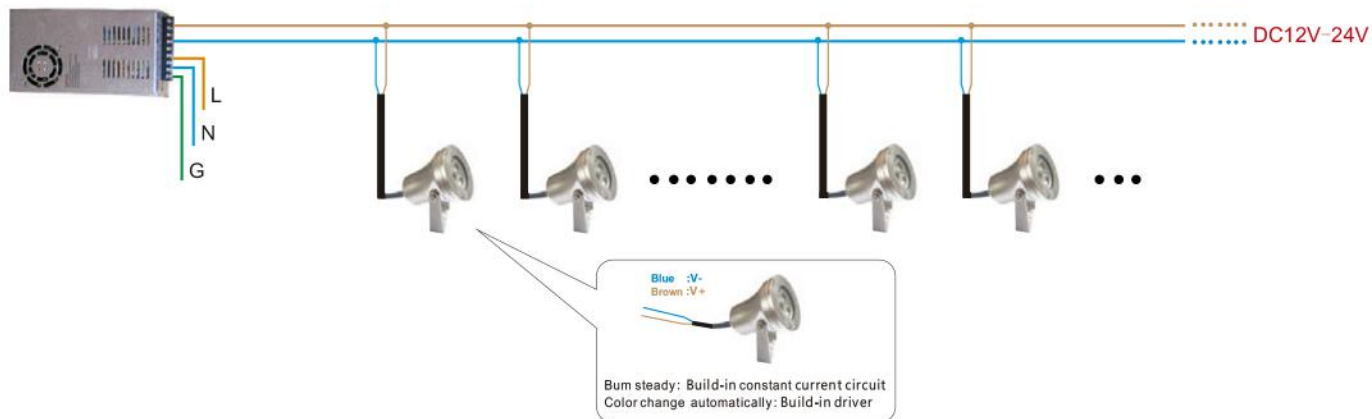
LED UNDERWATER LIGHT



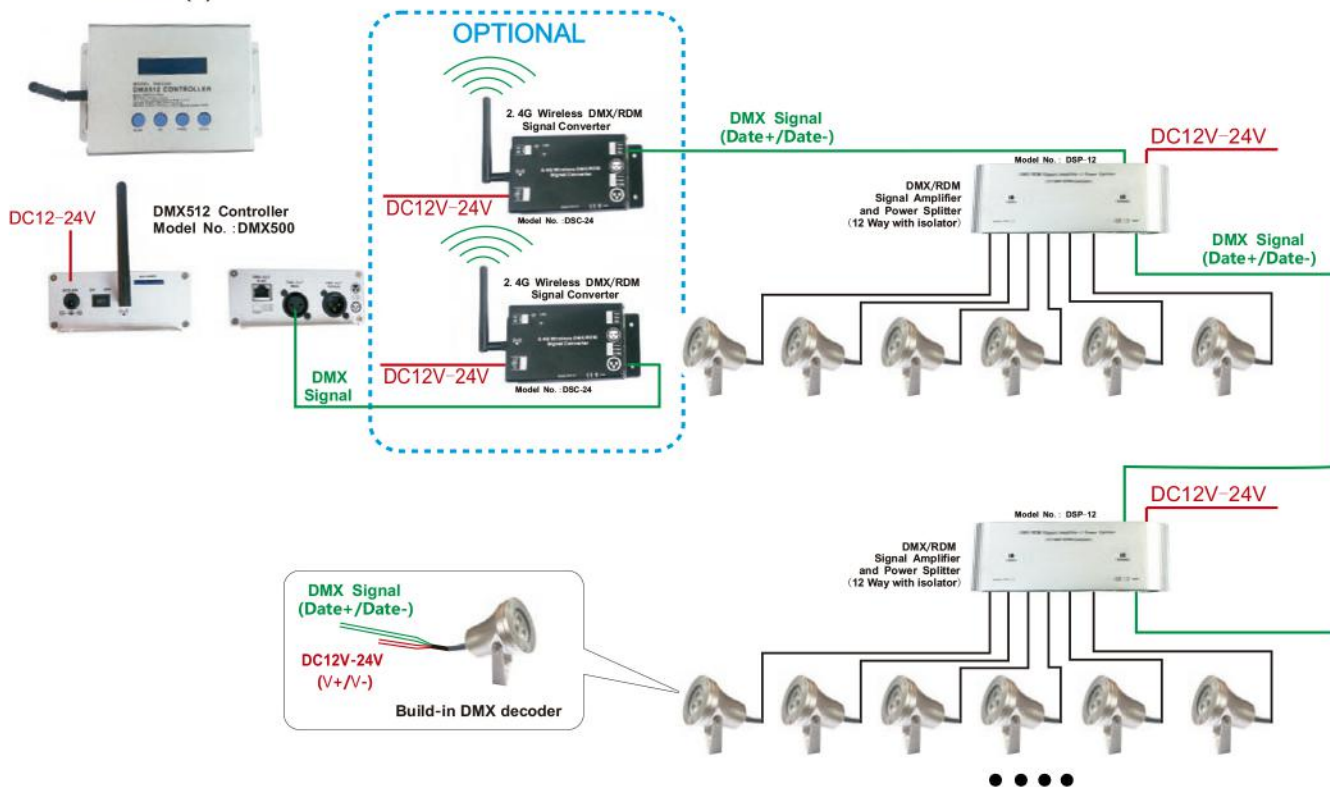
9W LED Underwater

Item Code: 88131
Model No.: RS-UW9W316X-A

Single color (1)



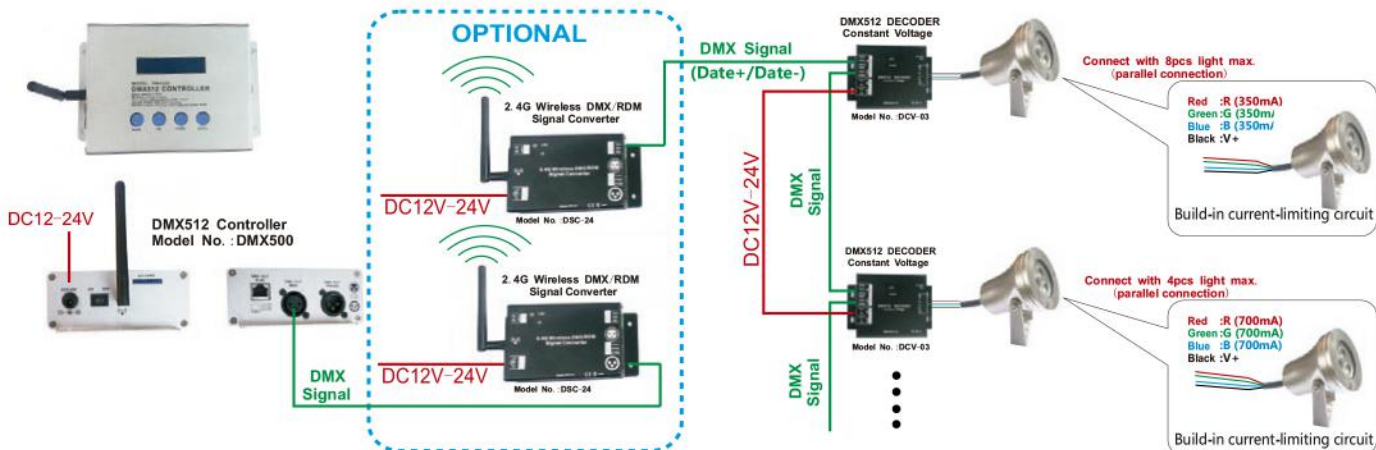
DMX512 (2)



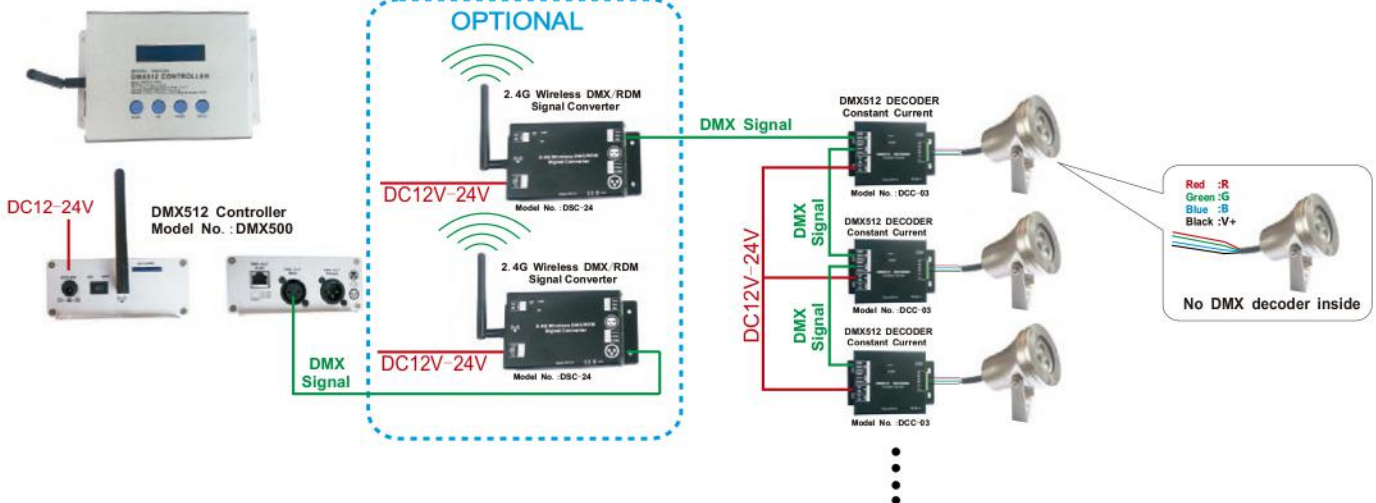
9W LED Underwater

Item Code: 88131
Model No.: RS-UW3P3W316X

External (3)



External (4)



DMX512 Signal Amplifier (5)

